



(12) **United States Patent**  
**Bianchi**

(10) **Patent No.:** **US 7,163,440 B2**  
(45) **Date of Patent:** **Jan. 16, 2007**

(54) **APPARATUS AND METHOD FOR  
POLISHING A FIBER OPTIC CONNECTOR**

4,498,260 A 2/1985 Doty  
4,587,768 A 5/1986 Doyle  
4,649,670 A 3/1987 Snyder  
4,693,035 A 9/1987 Doyle

(75) Inventor: **Robert J. Bianchi**, Minneapolis, MN  
(US)

(Continued)

(73) Assignee: **ADC Telecommunications, Inc.**, Eden  
Prairie, MN (US)

FOREIGN PATENT DOCUMENTS

DE 40 04 665 A1 8/1991

(\* ) Notice: Subject to any disclaimer, the term of this  
patent is extended or adjusted under 35  
U.S.C. 154(b) by 28 days.

(Continued)

OTHER PUBLICATIONS

(21) Appl. No.: **11/150,420**

"ADC FasTerm® Singlemode UPC and Multimode LX.5® Con-  
nector Installation Instructions," *ADC Telecommunications, Inc.*,  
Issue 2, pp. 1-26 (May 2002).

(22) Filed: **Jun. 10, 2005**

(Continued)

(65) **Prior Publication Data**

US 2005/0239378 A1 Oct. 27, 2005

*Primary Examiner*—M. Rachuba

(74) *Attorney, Agent, or Firm*—Merchant & Gould P.C.

**Related U.S. Application Data**

(62) Division of application No. 10/356,358, filed on Jan.  
31, 2003, now Pat. No. 6,918,816.

(57) **ABSTRACT**

(51) **Int. Cl.**

**B24B 51/00** (2006.01)

**B24B 49/00** (2006.01)

**B24B 1/00** (2006.01)

A fiber optic polishing apparatus including a support system,  
a polishing sub-assembly coupled to the support system  
including a plurality of pads, and a fixture to hold a plurality  
of fiber optic connectors. The fixture is positioned adjacent  
to the plurality of pads so that an end surface of each of the  
plurality of fiber optic connectors is held in contact with a  
corresponding pad. A drive mechanism is coupled to the  
support system to move the fixture to polish the end surface  
of each of the plurality of fiber optic connectors. Each of the  
plurality of pads may travel independently in a vertical  
direction. The polishing sub-assembly may further include a  
web polishing film, a fluid injection module configured to  
direct water onto the film, and a rinsing module to rub  
against a face of each of the plurality of fiber optic connec-  
tors to remove debris.

(52) **U.S. Cl.** ..... **451/11; 451/41; 451/57;**  
451/59

(58) **Field of Classification Search** ..... 451/11,  
451/41, 57, 59, 168, 173

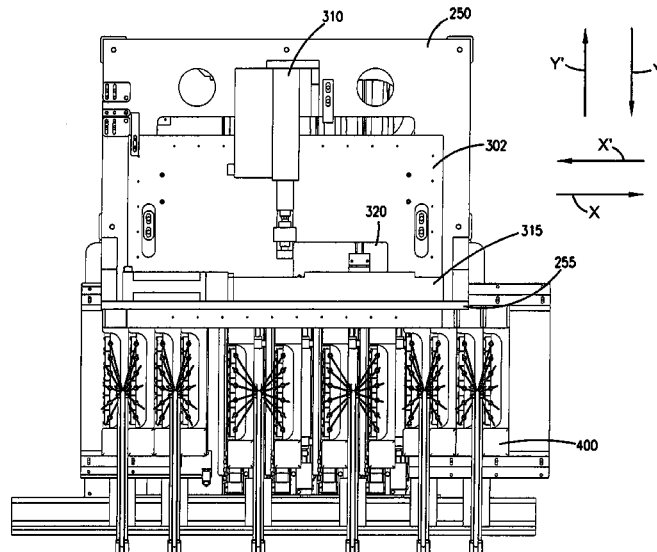
See application file for complete search history.

(56) **References Cited**

U.S. PATENT DOCUMENTS

2,577,312 A 12/1951 Donahue  
3,868,794 A 3/1975 Zitkus  
4,291,502 A 9/1981 Grimsby et al.

**19 Claims, 42 Drawing Sheets**



U.S. PATENT DOCUMENTS

4,709,512 A 12/1987 Okubo et al.  
 4,802,680 A 2/1989 Fuchs  
 4,819,386 A 4/1989 Struyf  
 4,831,784 A 5/1989 Takahashi  
 4,832,435 A 5/1989 Suzuki et al.  
 4,850,152 A 7/1989 Heynacher et al.  
 4,891,916 A 1/1990 Rhoades et al.  
 4,905,415 A 3/1990 Moulin  
 4,944,079 A 7/1990 Nakamura et al.  
 4,979,334 A 12/1990 Takahashi  
 5,107,627 A 4/1992 Mock, Jr. et al.  
 5,136,820 A 8/1992 Luther  
 5,184,433 A \* 2/1993 Maack ..... 451/41  
 5,201,148 A 4/1993 Rupert et al.  
 5,216,846 A 6/1993 Takahashi  
 5,218,786 A 6/1993 Takahashi  
 5,265,381 A 11/1993 Takahashi  
 5,281,884 A 1/1994 Basavanhally et al.  
 5,321,917 A 6/1994 Franklin et al.  
 5,345,323 A 9/1994 Basavanhally et al.  
 5,349,784 A 9/1994 Grois et al.  
 5,351,445 A 10/1994 Takahashi  
 5,403,227 A 4/1995 Franklin et al.  
 5,447,464 A \* 9/1995 Franklin et al. .... 451/28  
 5,458,528 A 10/1995 Lurie et al.  
 5,458,531 A 10/1995 Matsuoka et al.  
 5,461,689 A 10/1995 Matsuoka et al.  
 5,516,328 A 5/1996 Kawada  
 5,547,418 A 8/1996 Takahashi  
 5,556,323 A 9/1996 Luther et al.  
 5,559,916 A 9/1996 Terao et al.  
 5,577,149 A 11/1996 Averbeck et al.  
 5,601,474 A 2/1997 Takahashi  
 5,643,064 A 7/1997 Grinderslev et al.  
 5,667,426 A 9/1997 Minami et al.  
 5,674,114 A 10/1997 Miller et al.  
 5,711,701 A 1/1998 Grinderslev et al.  
 5,720,653 A 2/1998 Miller et al.  
 5,741,171 A 4/1998 Sarfaty et al.  
 5,743,787 A 4/1998 Ishiyama et al.  
 5,778,125 A 7/1998 Busse et al.  
 5,813,902 A 9/1998 Wiegand  
 5,947,797 A 9/1999 Buzzetti  
 6,077,154 A 6/2000 Takashi et al.  
 6,106,368 A 8/2000 Childers et al.  
 6,110,013 A 8/2000 Minami et al.  
 6,113,469 A 9/2000 Yoshikawa et al.  
 6,126,519 A 10/2000 Minami et al.  
 6,157,863 A 12/2000 Chandler et al.  
 6,165,055 A 12/2000 Takahashi et al.  
 6,183,343 B1 2/2001 Buzzetti  
 6,190,239 B1 2/2001 Buzzetti  
 6,257,971 B1 7/2001 Takahashi et al.  
 6,276,842 B1 8/2001 Xu et al.  
 6,280,293 B1 8/2001 Minami et al.

6,302,763 B1 10/2001 Buzzetti  
 6,347,974 B1 2/2002 Chandler et al.  
 6,396,996 B1 5/2002 Carpenter et al.  
 6,599,030 B1 7/2003 Millmann  
 6,641,472 B1 11/2003 Boyer et al.  
 6,718,111 B1 4/2004 Suek et al.  
 6,752,536 B1 6/2004 Boyer et al.  
 6,817,931 B1 11/2004 Minami  
 6,827,632 B1 12/2004 Zimmer et al.  
 6,831,738 B1 12/2004 Rogers et al.  
 6,860,646 B1 3/2005 Suek et al.  
 6,918,816 B1 \* 7/2005 Bianchi ..... 451/11  
 2001/0023164 A1 9/2001 Miniami et al.  
 2002/0160700 A1 10/2002 Boyer et al.  
 2003/0031447 A1 2/2003 Nault

FOREIGN PATENT DOCUMENTS

DE 197 52 228 A1 5/1998  
 EP 0 579 056 A1 1/1994  
 EP 0 621 107 A1 10/1994  
 JP 59-161256 9/1984  
 JP 60-217055 10/1985  
 JP 61-113005 5/1986  
 JP 63-283854 11/1988  
 JP 63-316811 12/1988  
 JP 5-19140 1/1993  
 JP 5-157941 6/1993  
 JP 5-164942 6/1993  
 JP 6-138343 5/1994  
 SU 738825 6/1980  
 WO WO 98/14810 4/1998

OTHER PUBLICATIONS

“ADC FasTerm™ Multimode LX.5™ Connector Installation Instructions,” *ADC Telecommunications, Inc.*, Issue 2, pp. 1-25 (Apr. 2001).  
 “Fiber Optic,” *Nanometer Technologies*, 1 page (visited May 24, 2004).  
 “MCP 24 Advantages and Specs,” *Nanometer Technologies*, 1 page (visited May 24, 2004).  
 “MCP 24 Figure 8 Polishing,” *Nanometer Technologies*, 1 page (visited May 24, 2004).  
 “MCP 24 Fixture Plates,” *Nanometer Technologies*, 1 page (2004).  
 “MCP 24 Fixture Plates,” *Nanometer Technologies*, 1 page (visited May 24, 2004).  
 “MCP 24 Mass Connector Polisher—Technical Information,” *Nanometer Technologies*, 1 page (2004).  
 “MCP 24 Mass Connector Polisher,” *Nanometer Technologies*, 1 page (2004).  
 “MCP 24 Universal Polishing Fixture,” *Nanometer Technologies*, 1 page (visited May 24, 2004).  
 “SFP-550,” *Seikoh Giken USA*, 2 pages (2004).  
 “Universal Type 12-Axis Optical Fiber Polisher SFP-510,” *JPS Optics Inc.*, 4 pages (1989).

\* cited by examiner

FIG. 1  
(Prior Art)

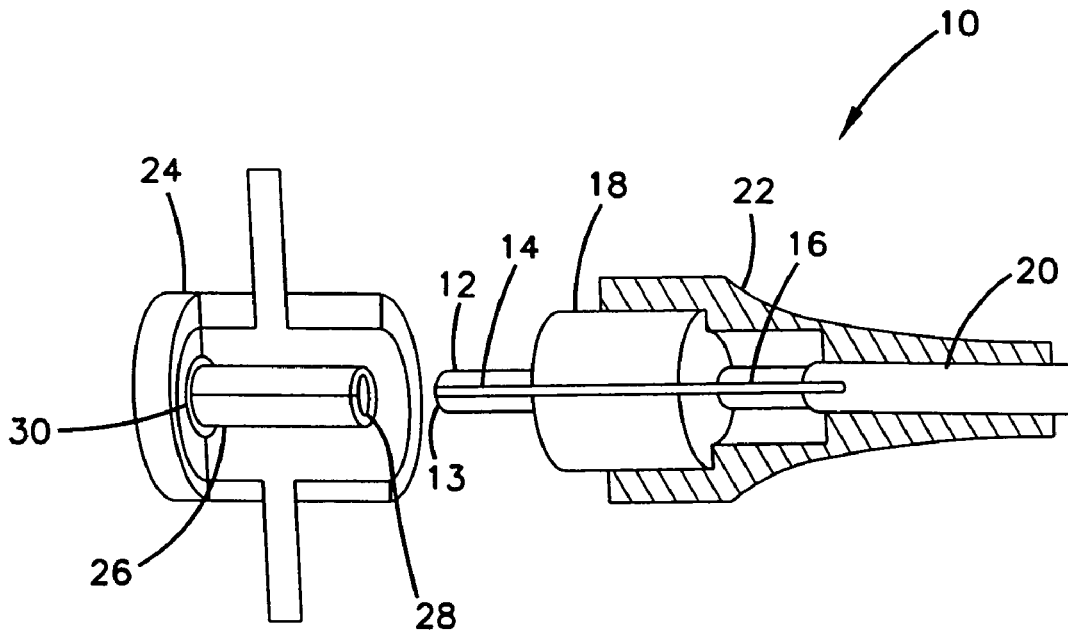
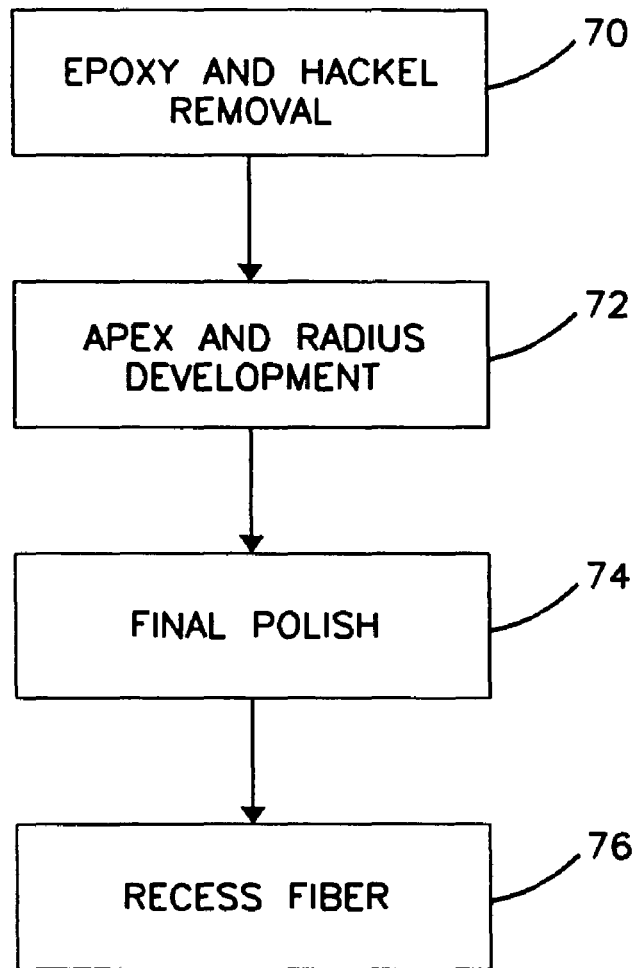


FIG. 2  
(Prior Art)



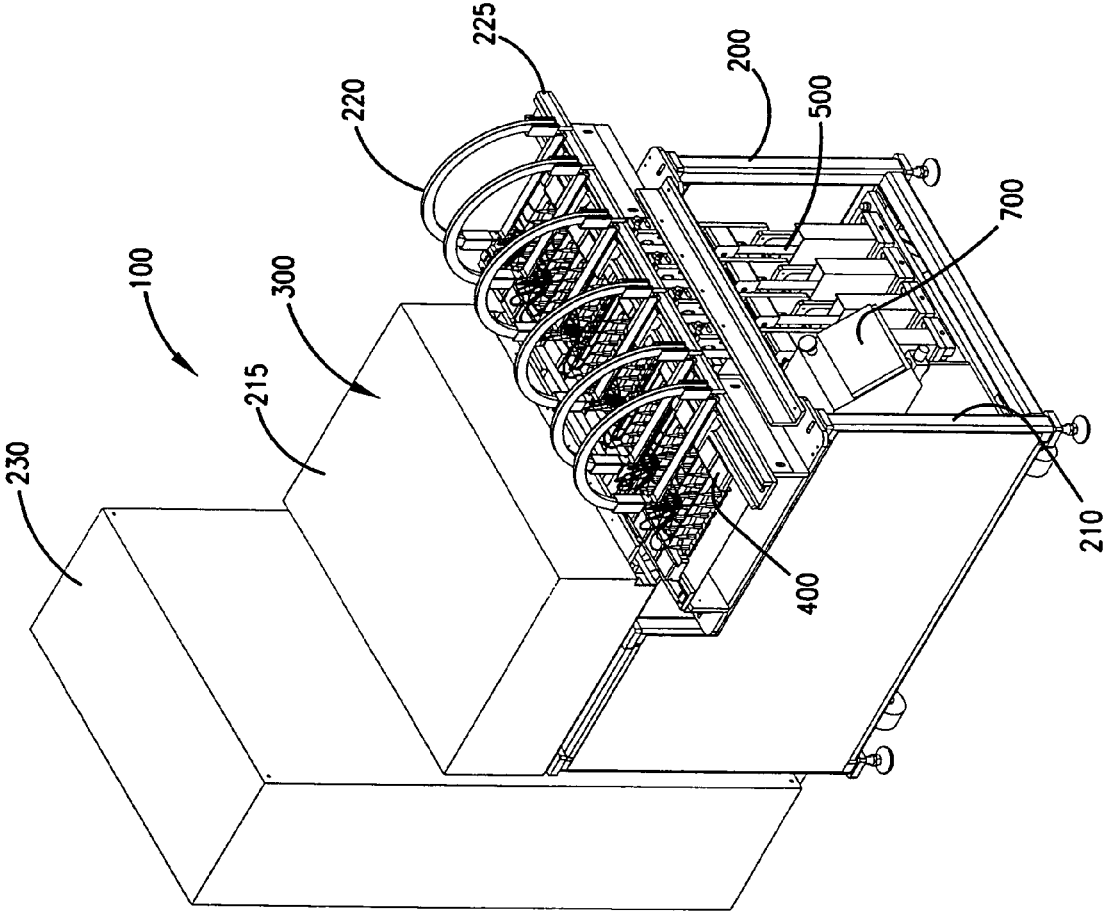


FIG. 3

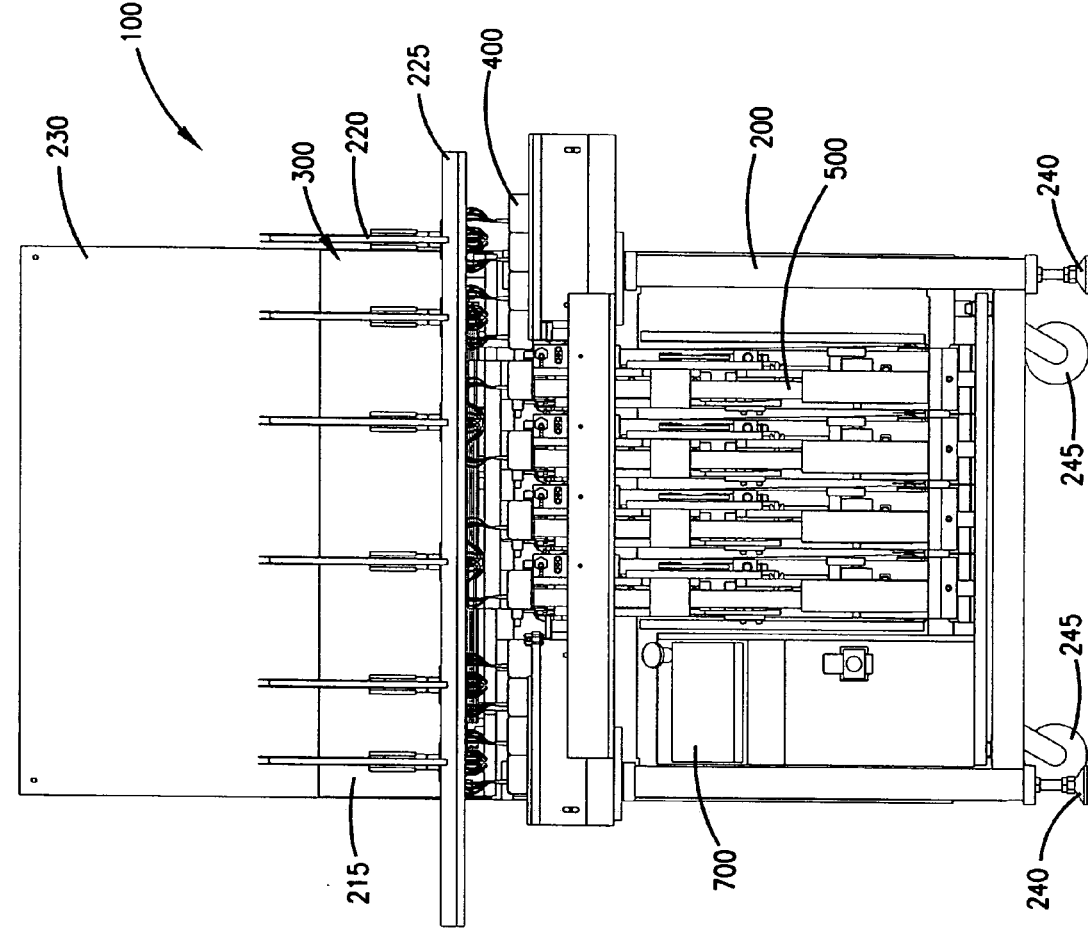


FIG. 4

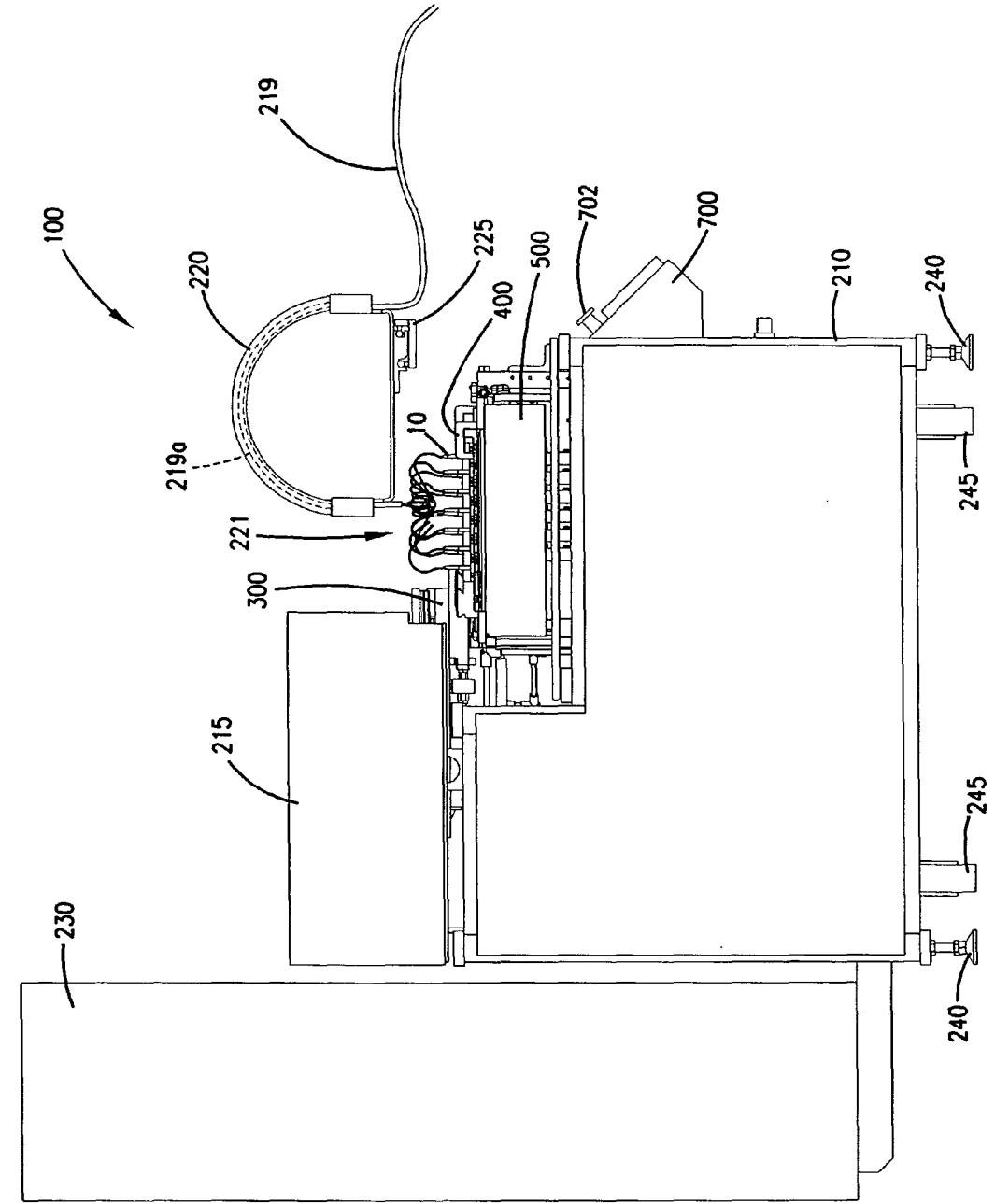


FIG. 5

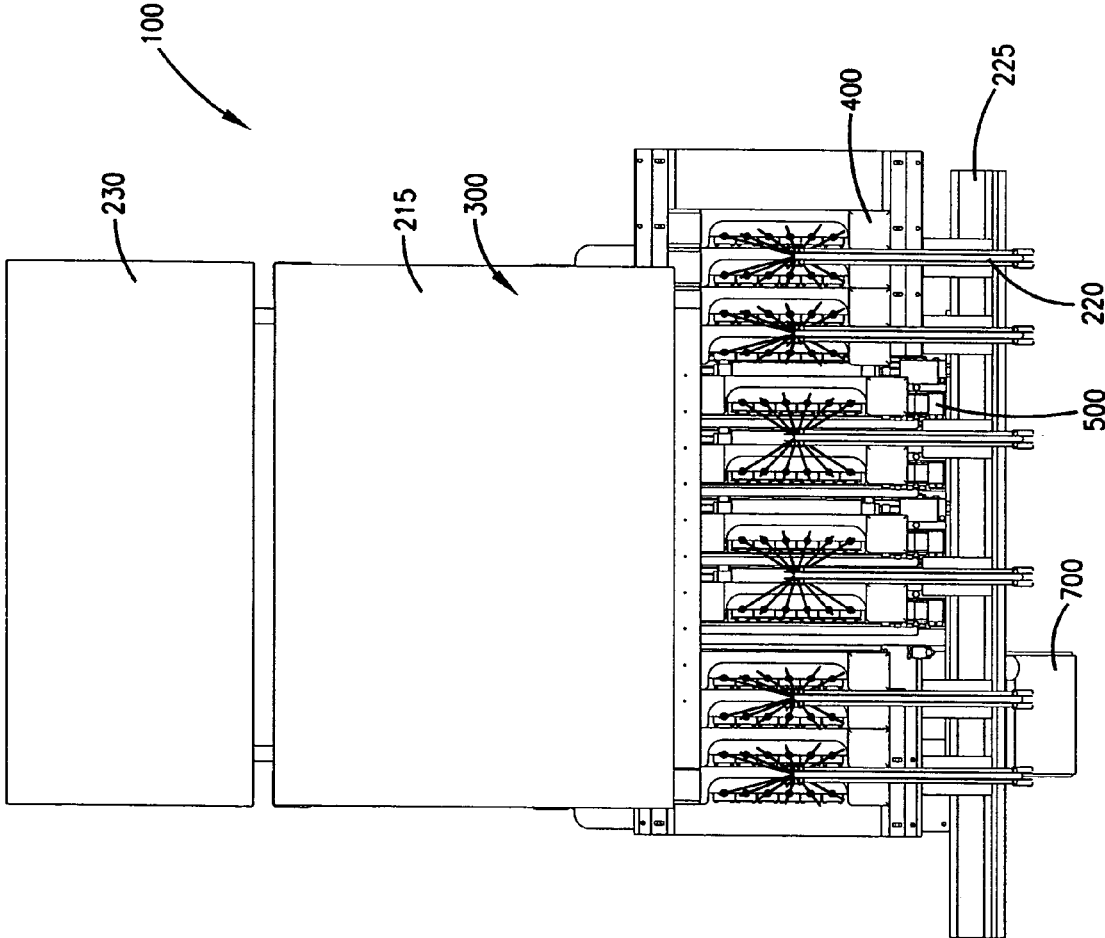


FIG. 6



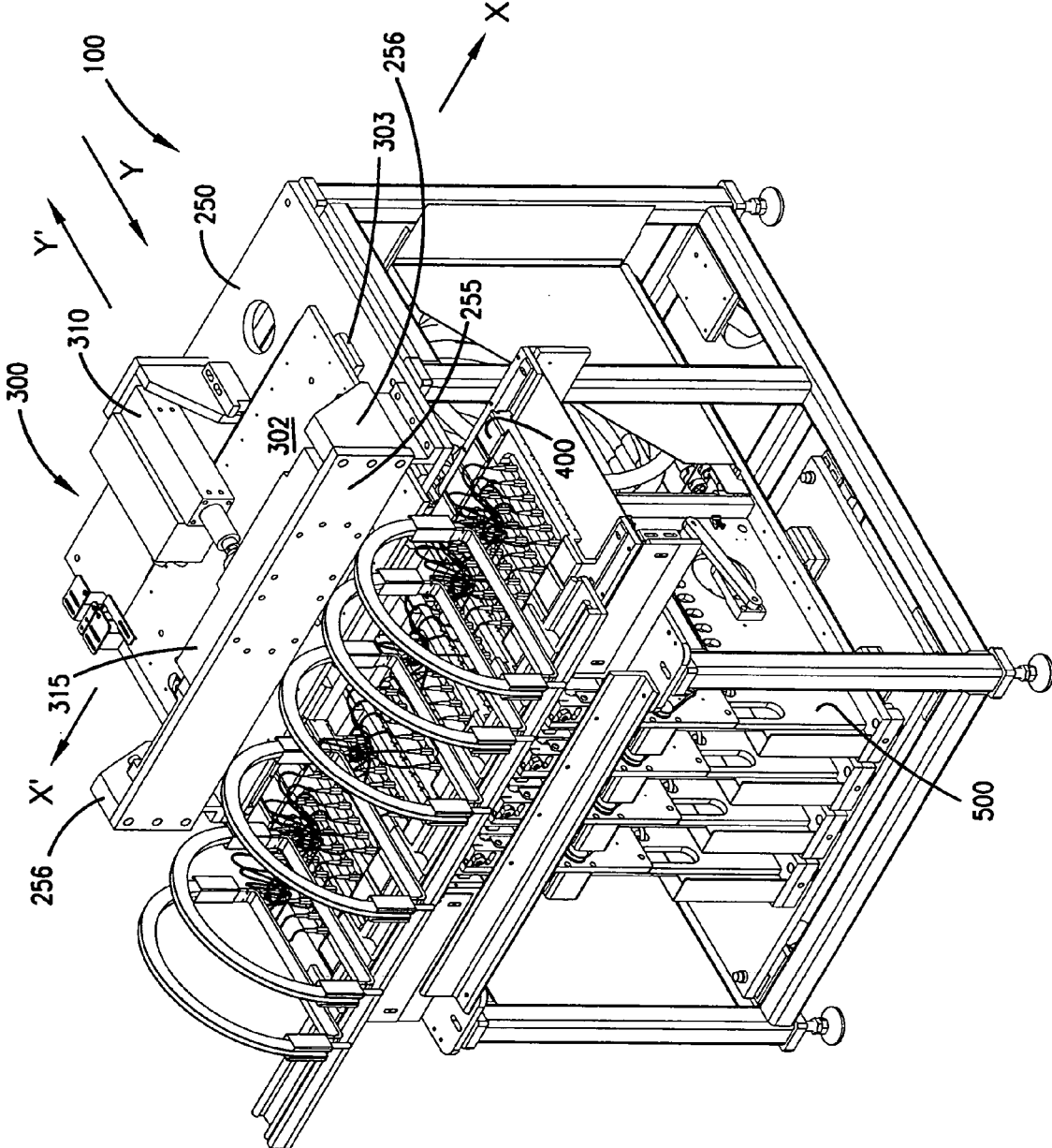
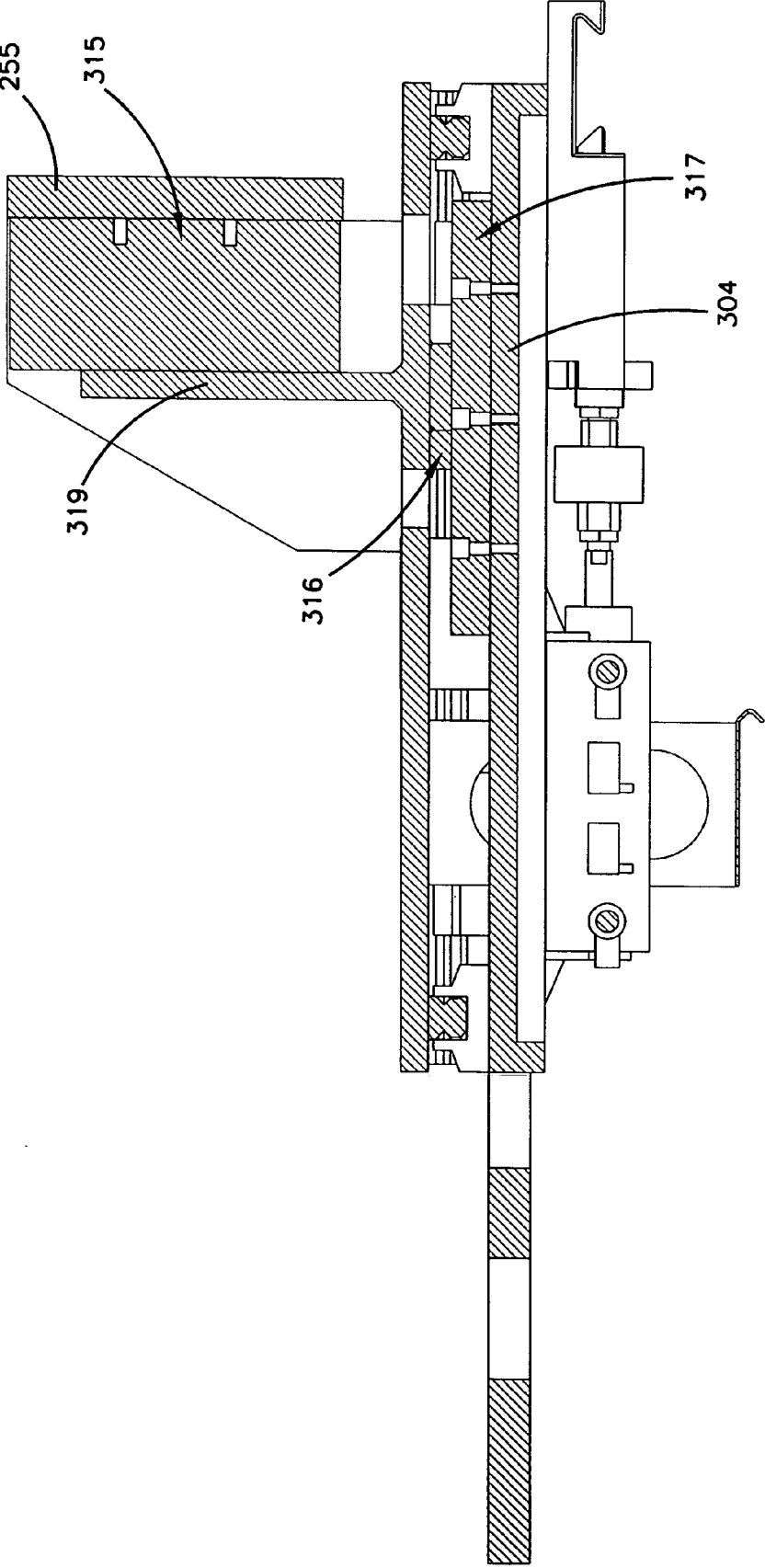


FIG. 7

FIG. 7A



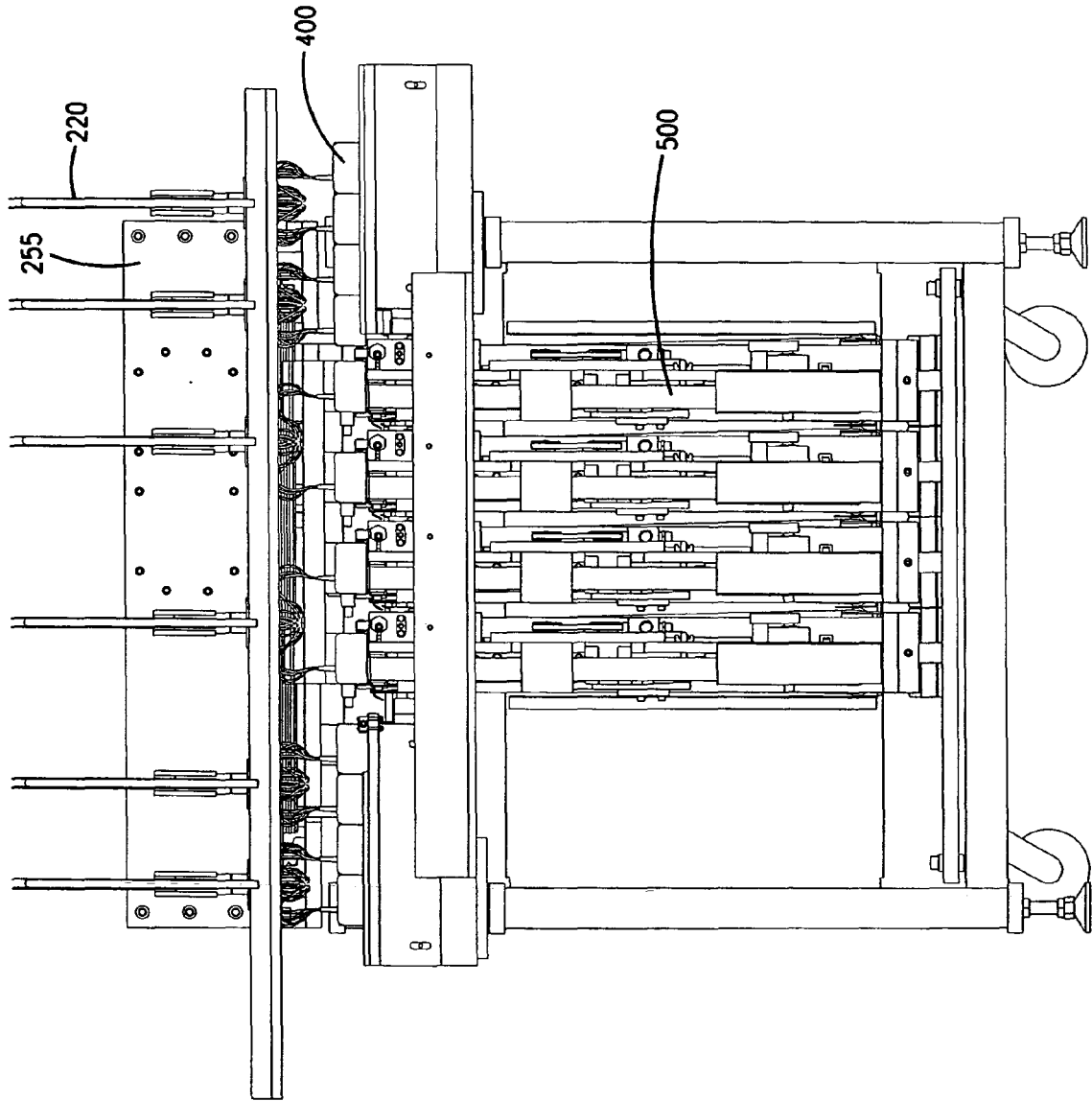


FIG. 8

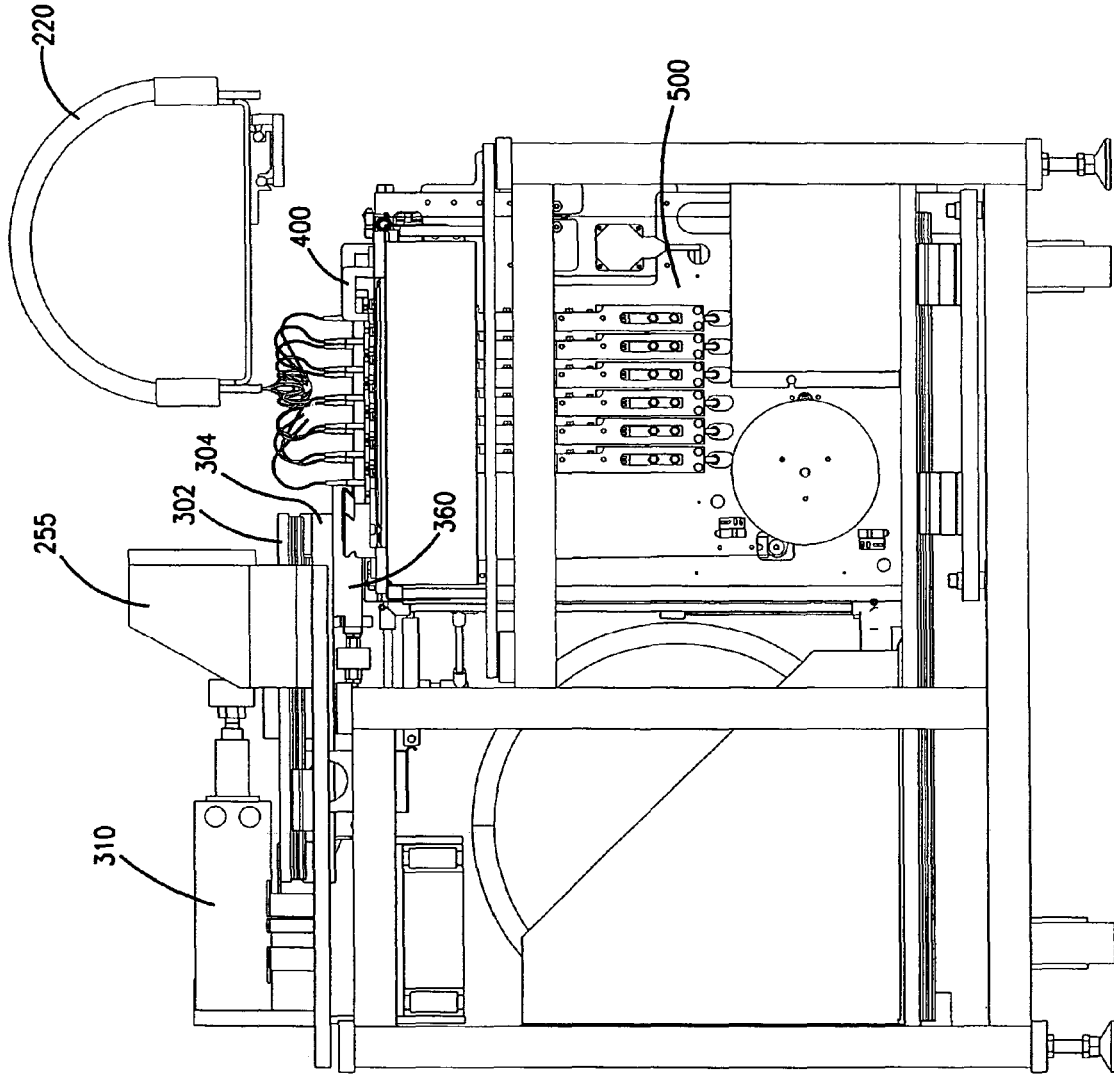


FIG. 9

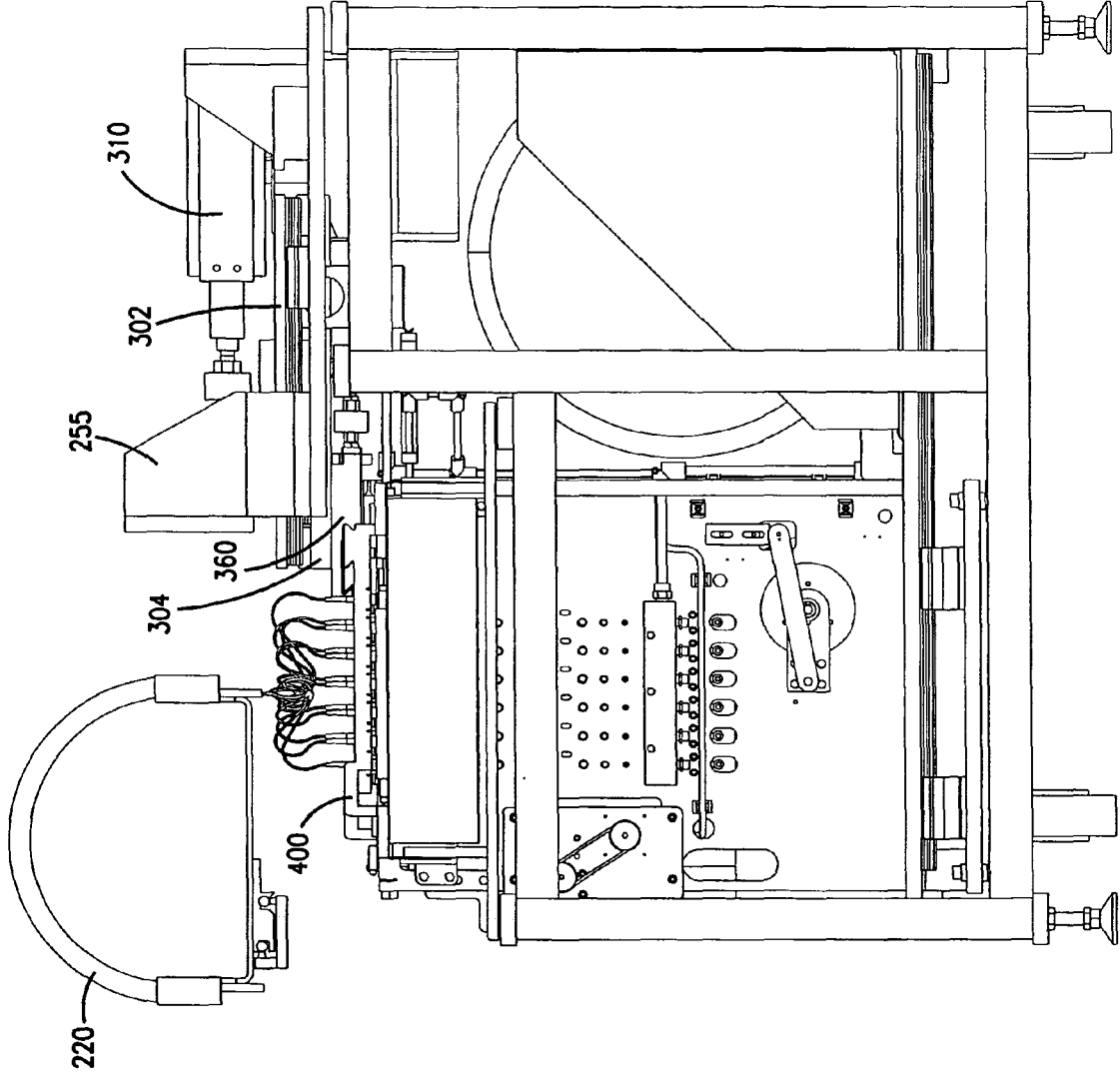


FIG. 10

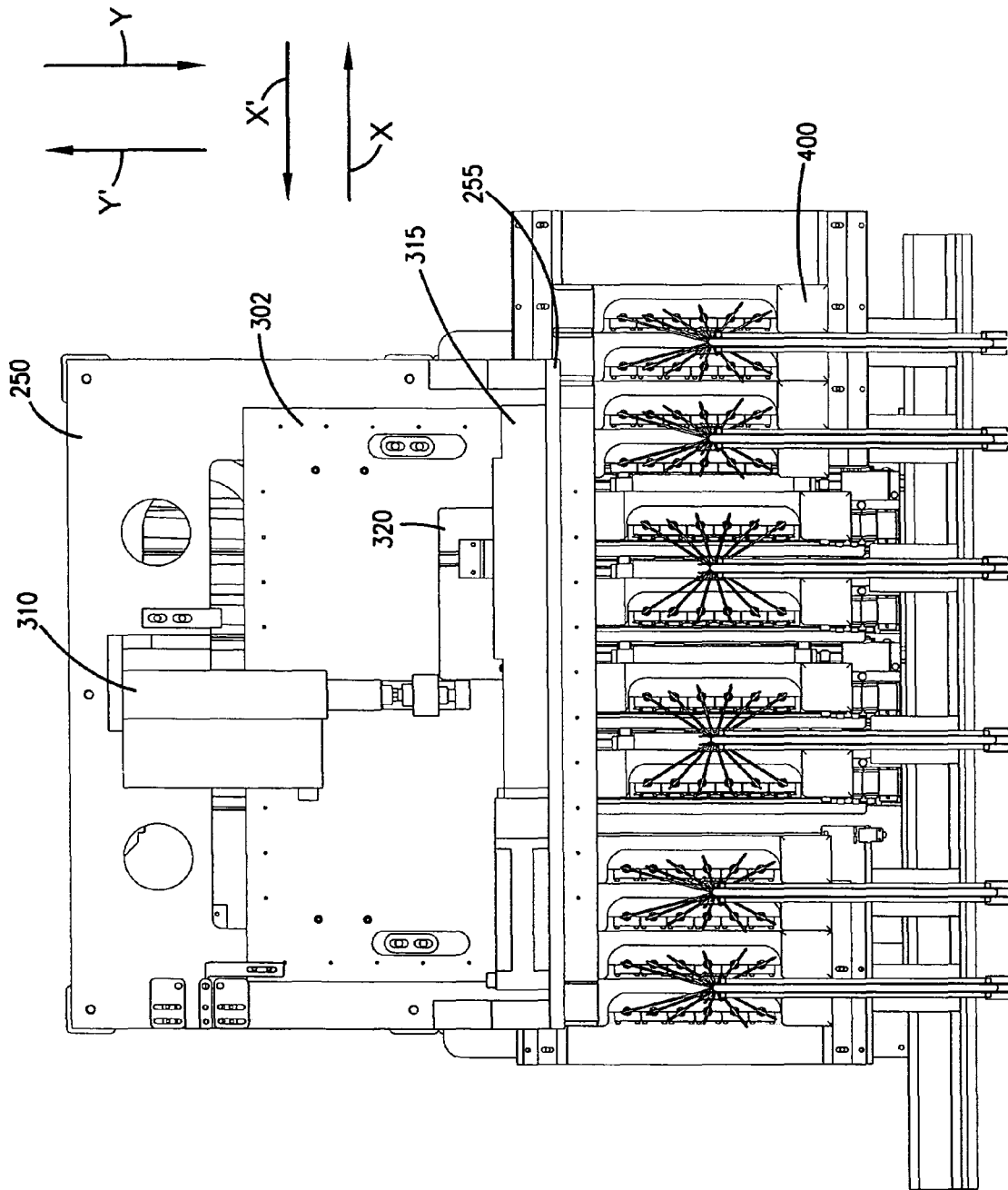


FIG. 11

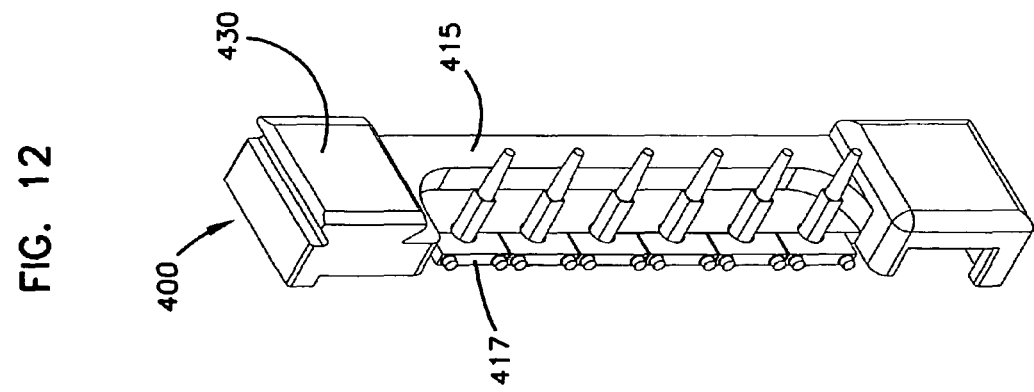
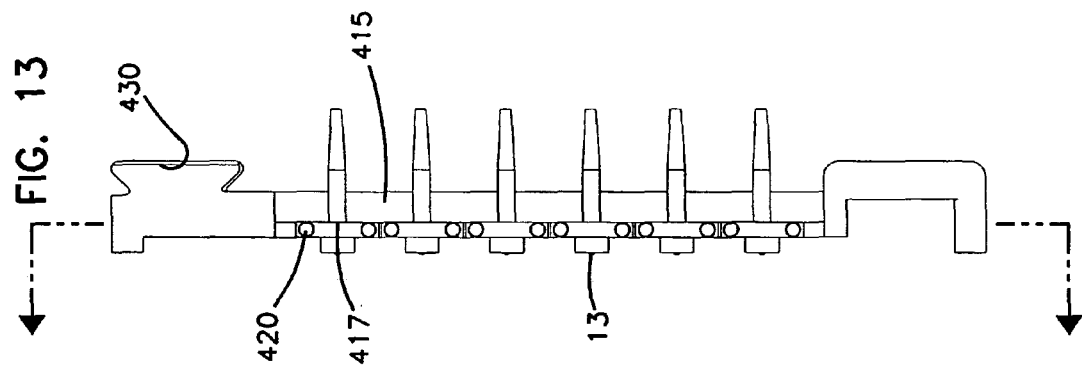
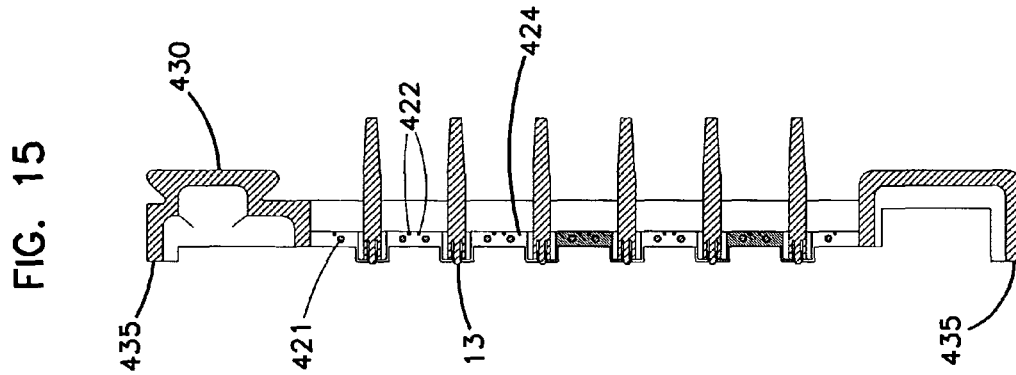
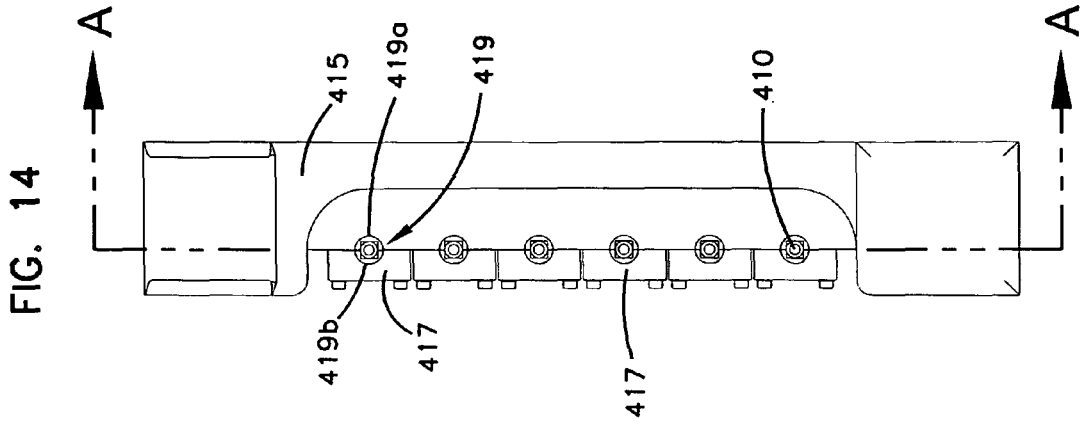
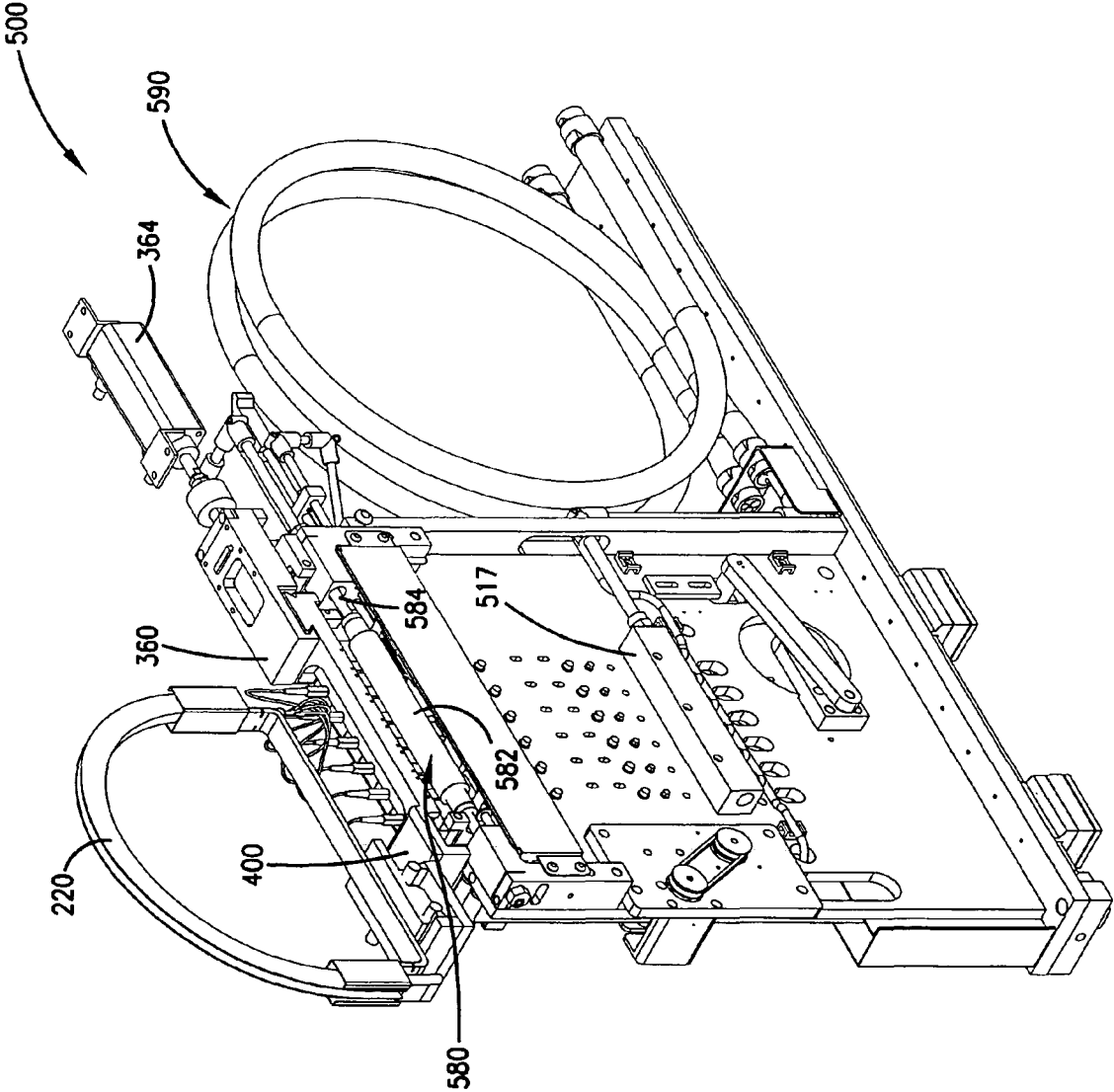


FIG. 16





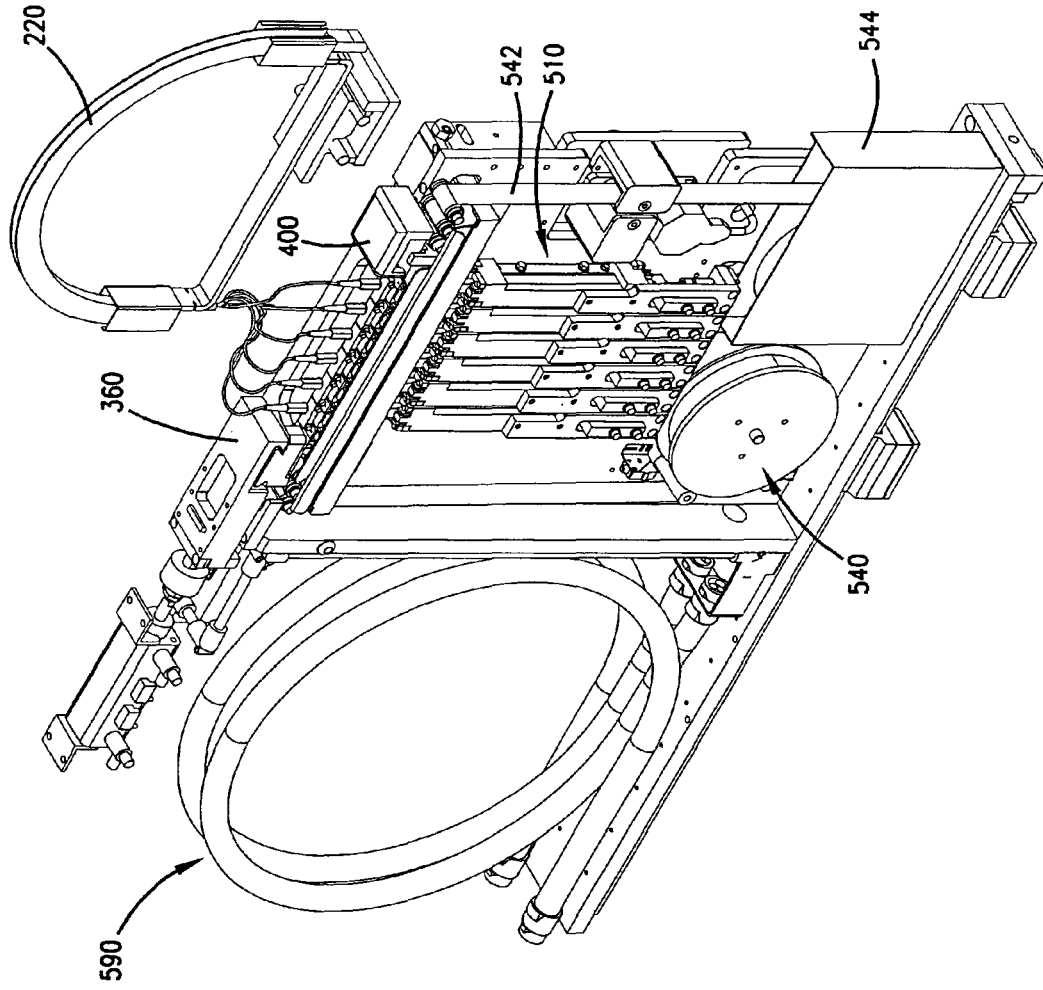


FIG. 17

FIG. 18

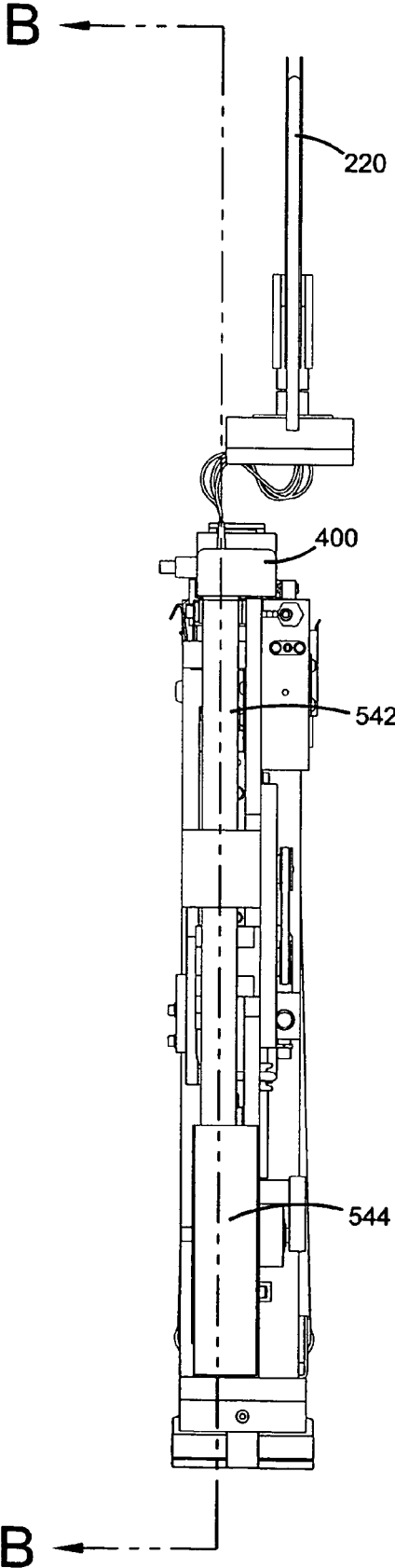


FIG. 19

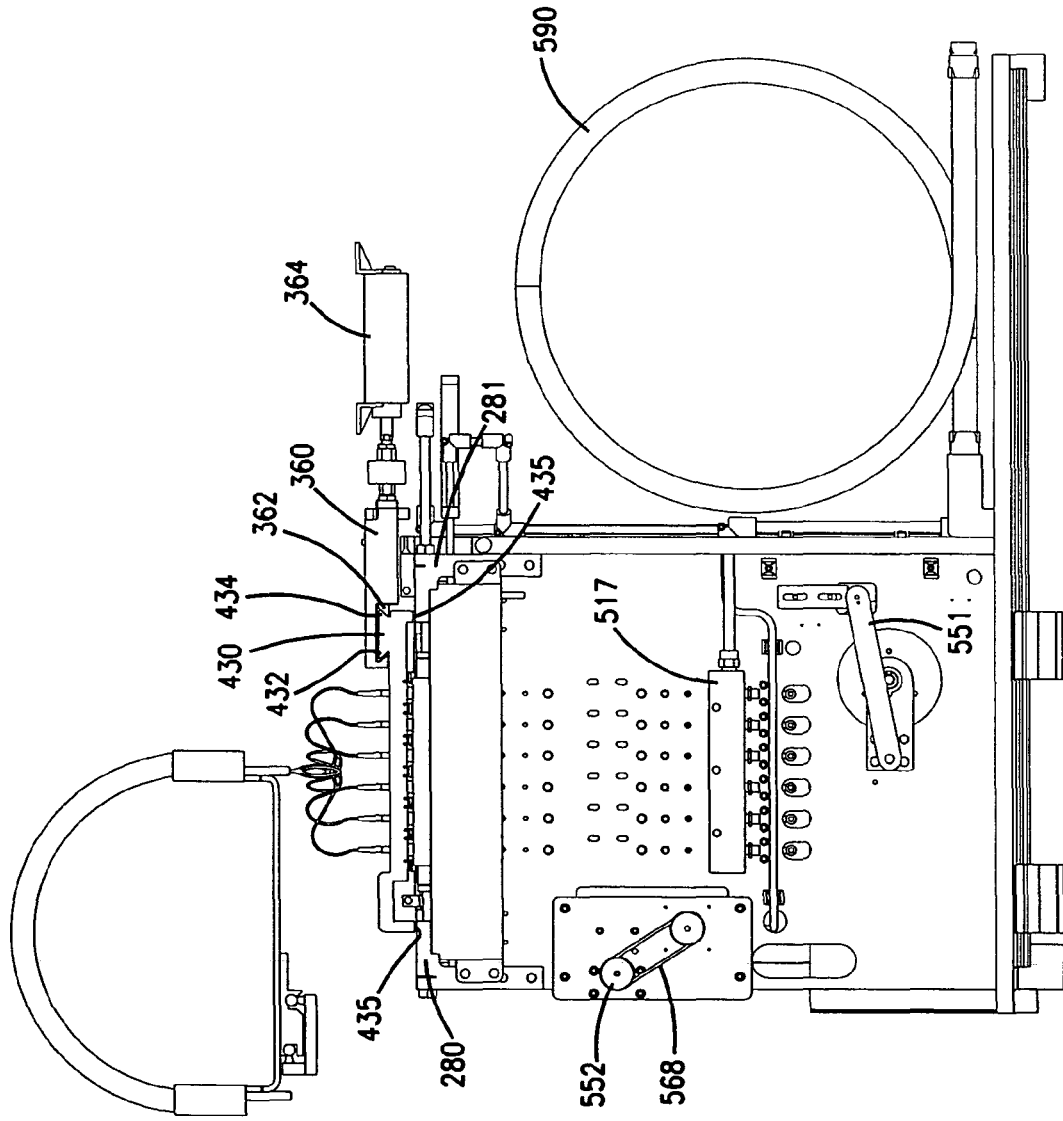


FIG. 20

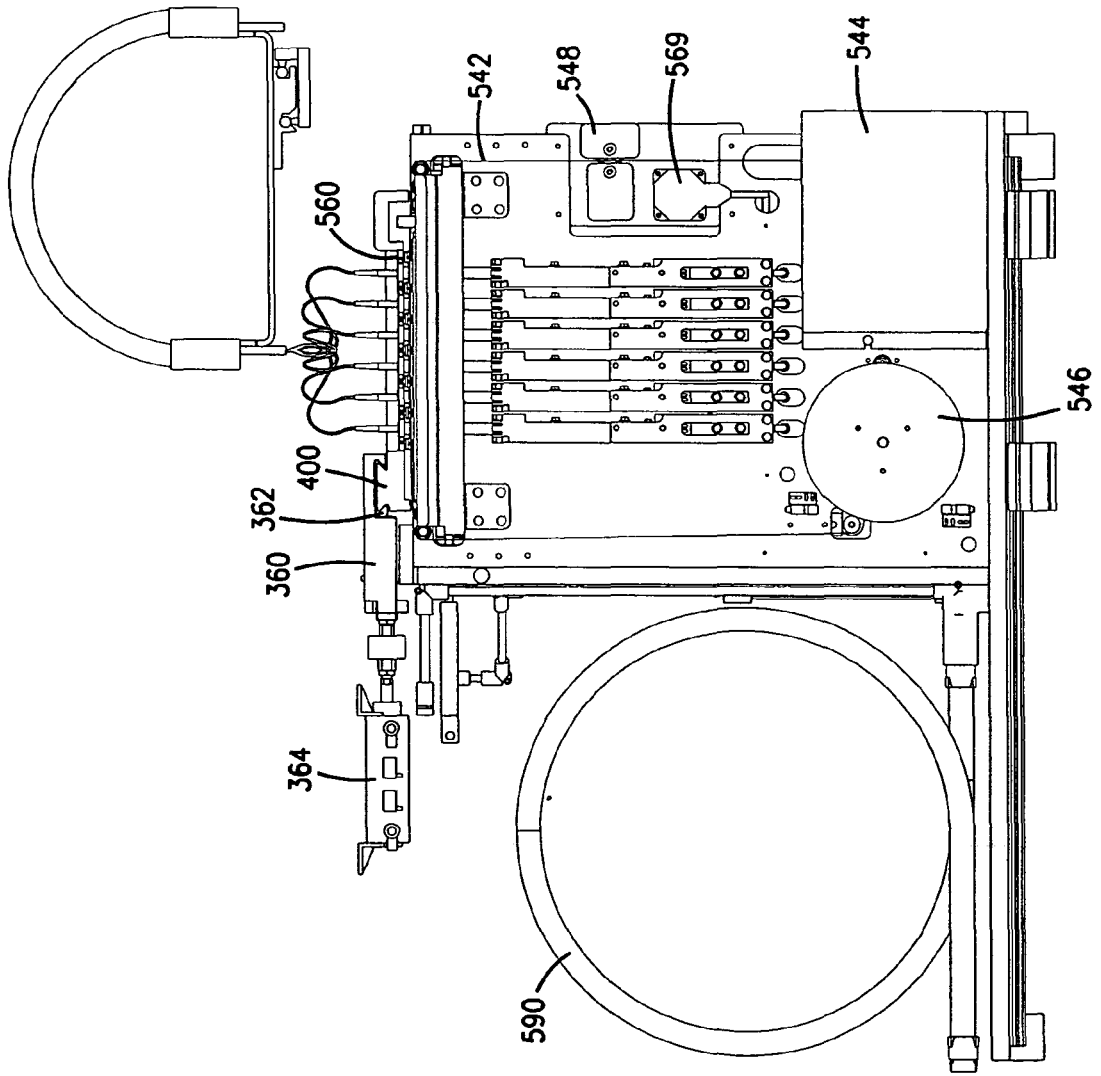
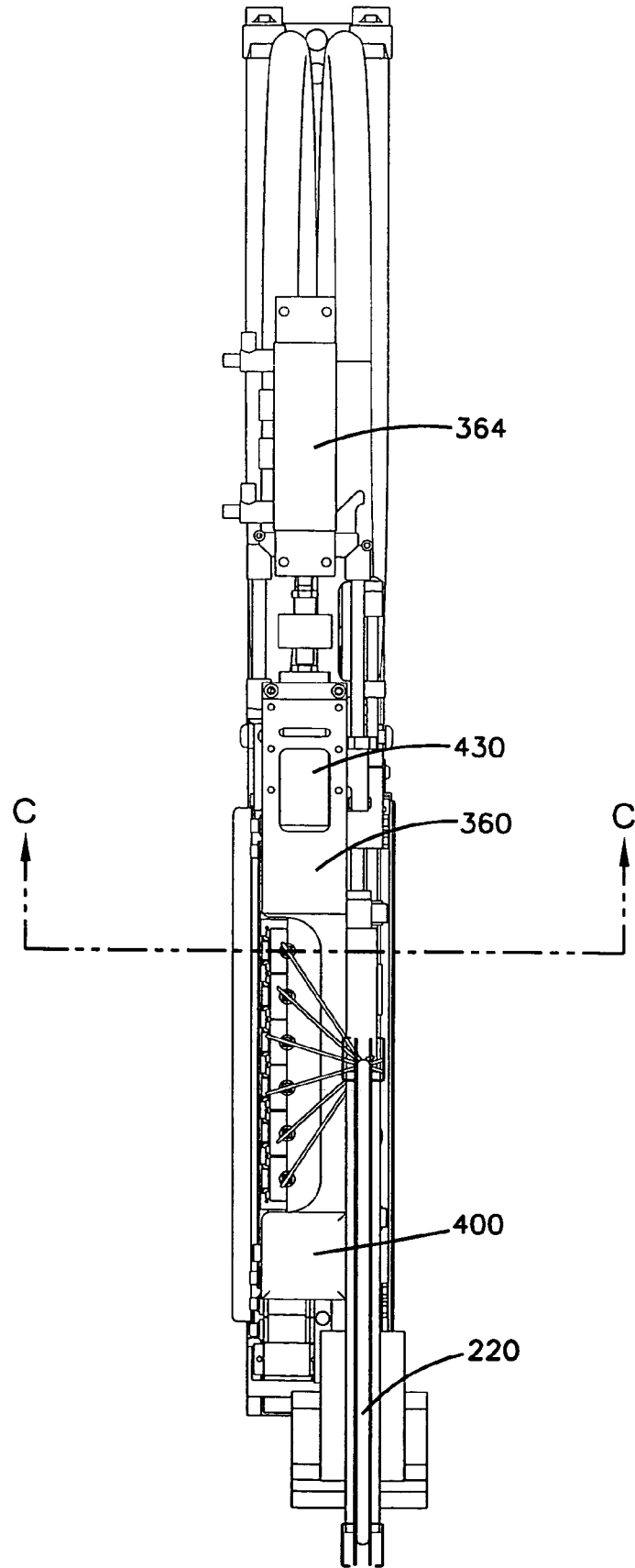


FIG. 21



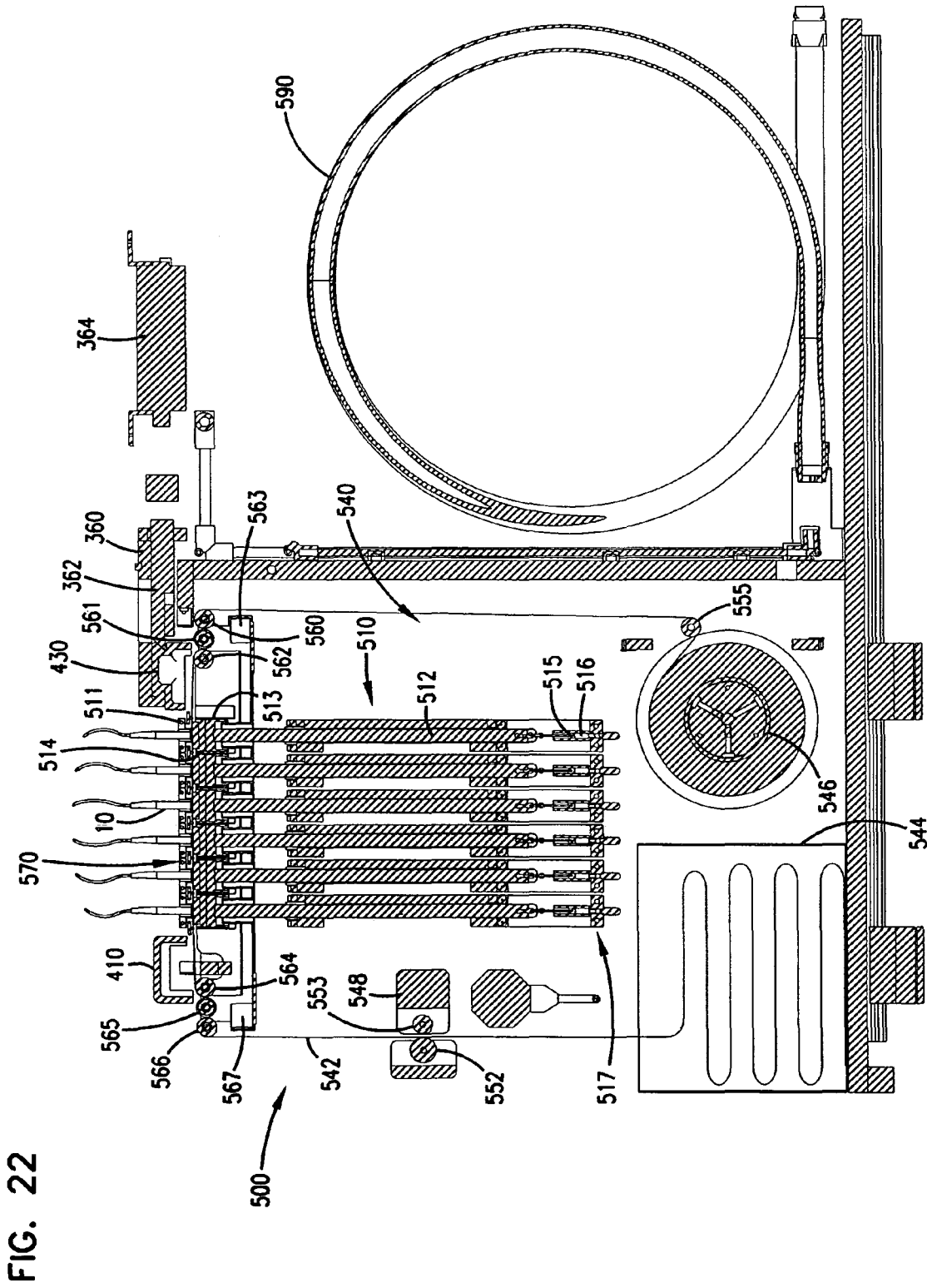


FIG. 22

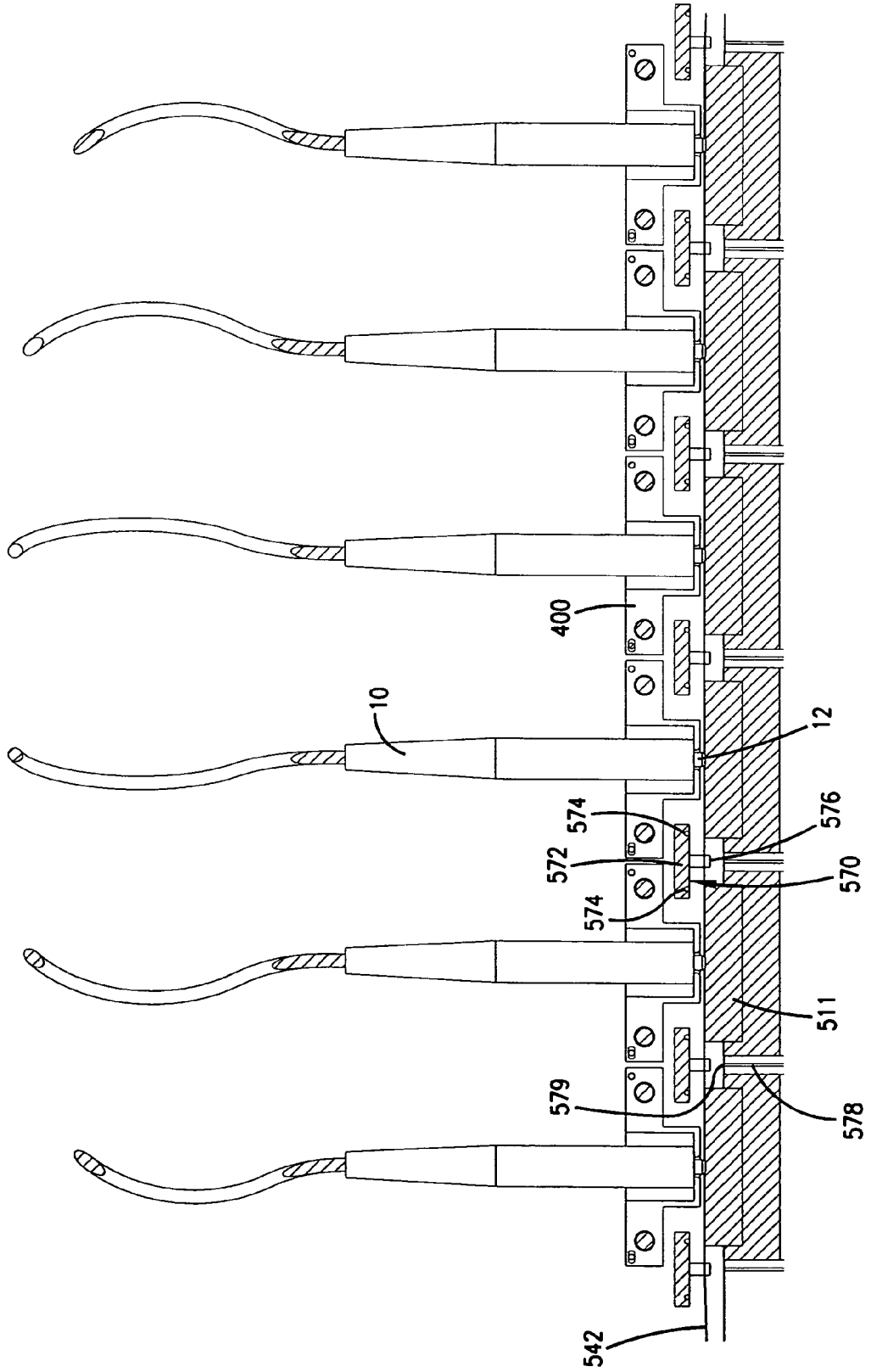


FIG. 23

FIG. 24

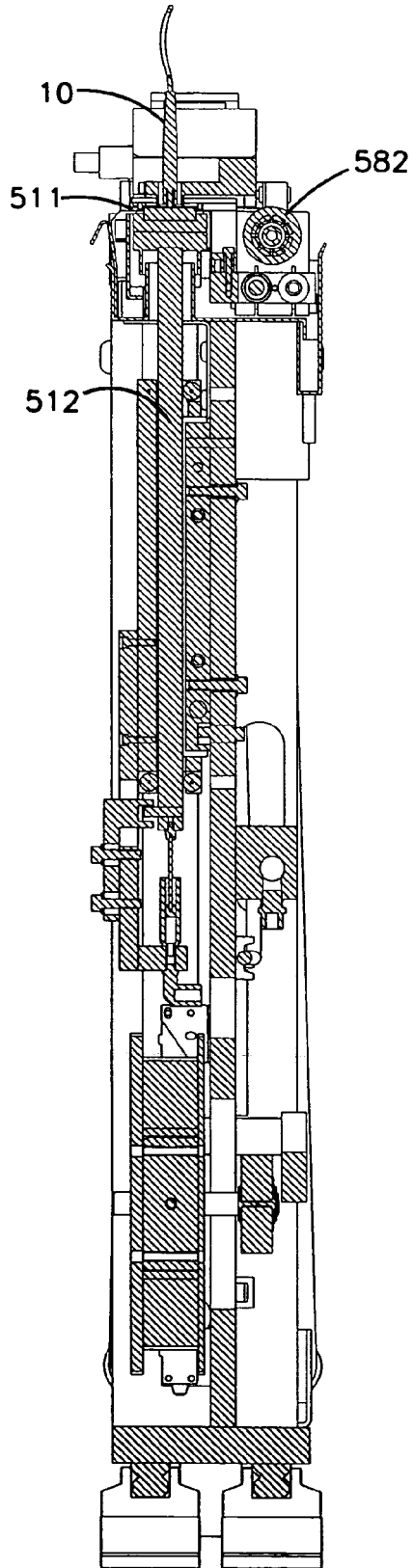
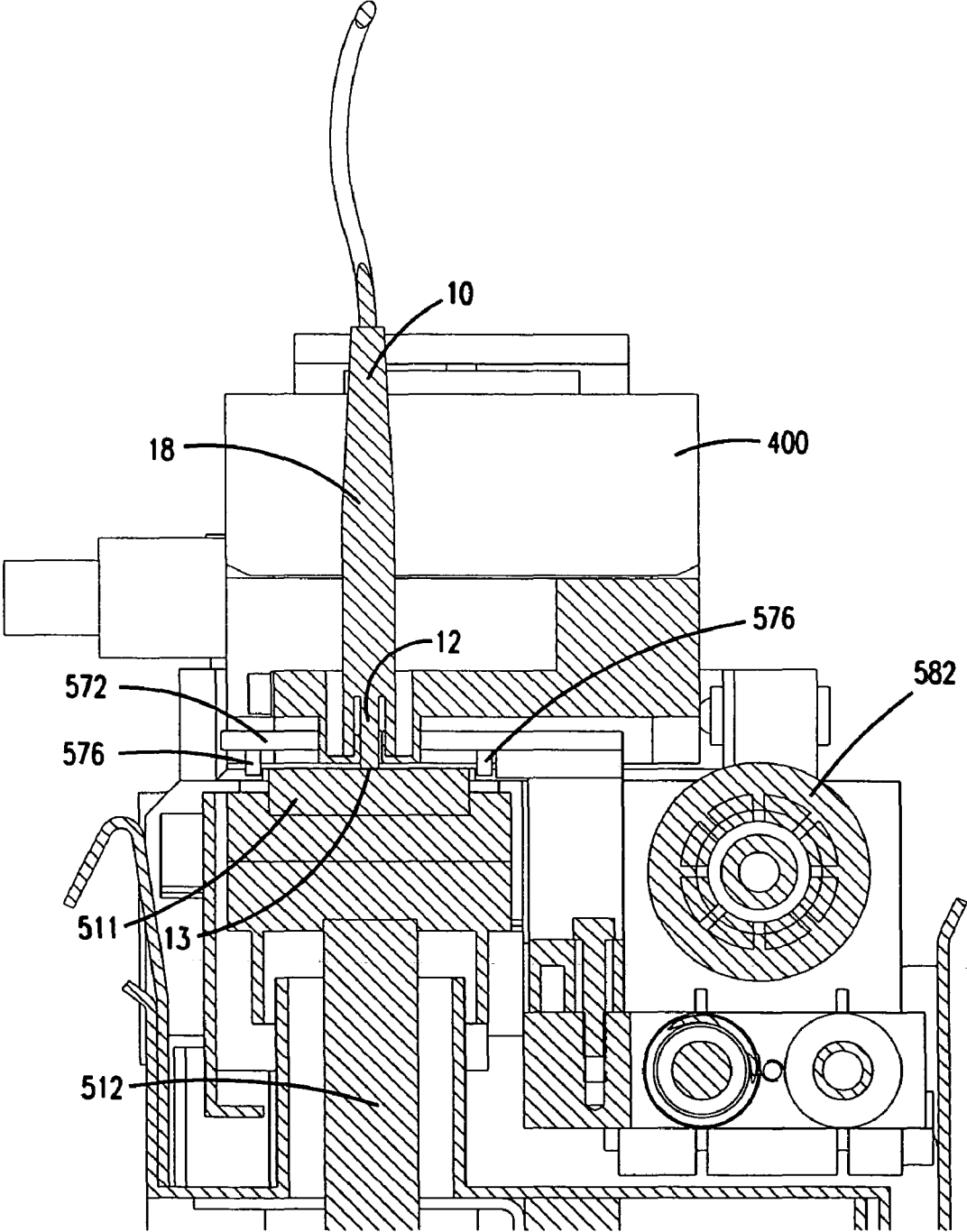




FIG. 25



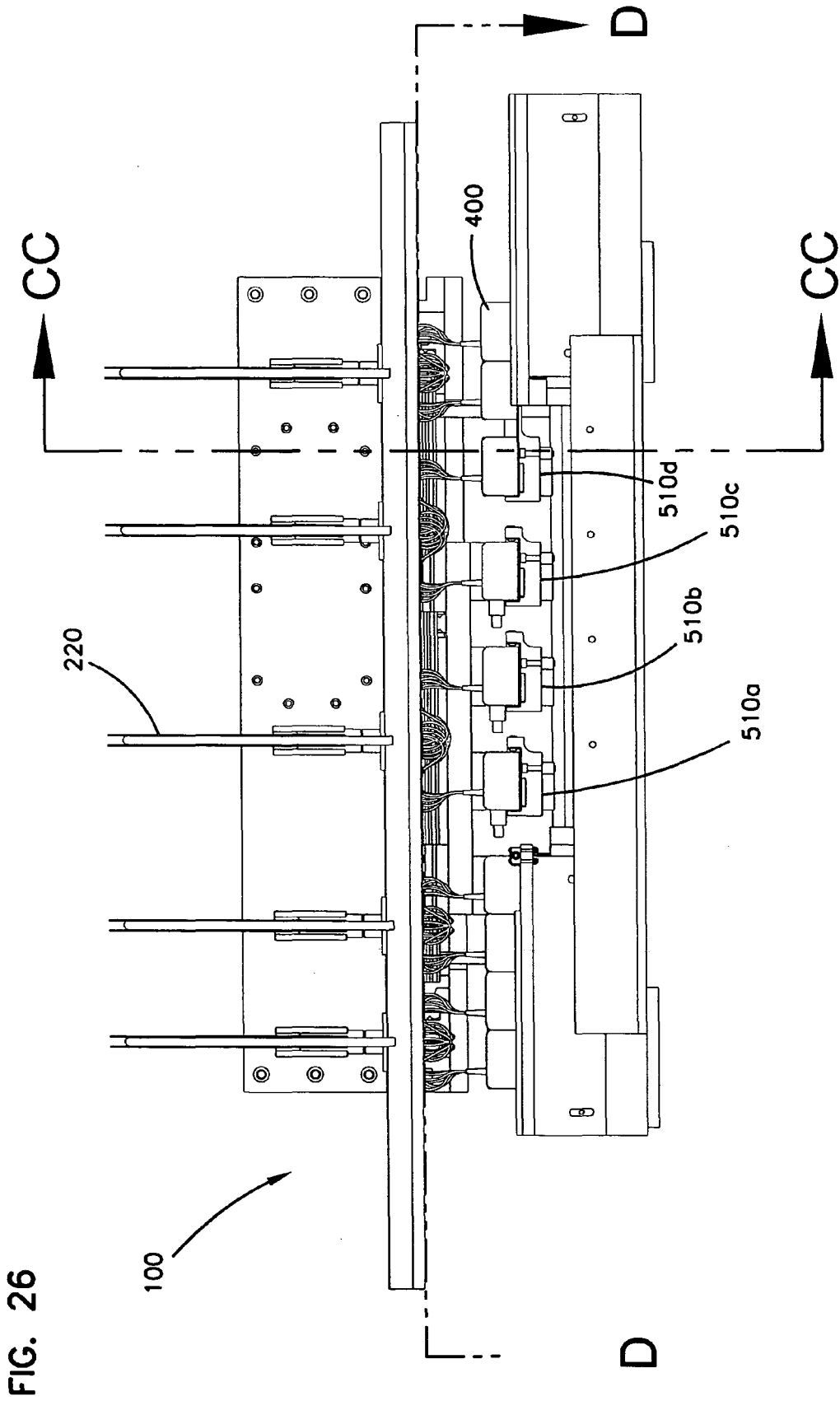
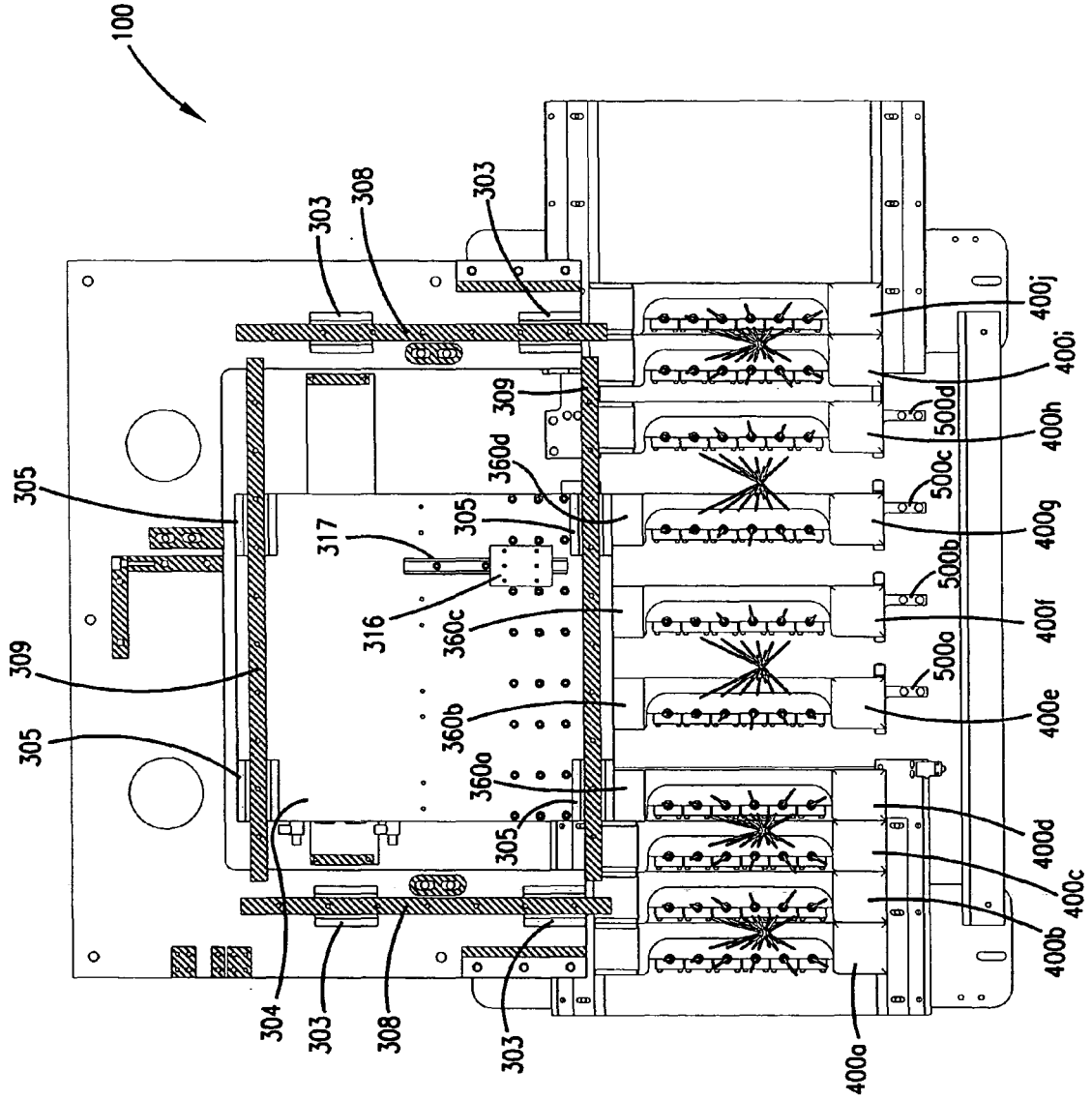


FIG. 26

FIG. 27



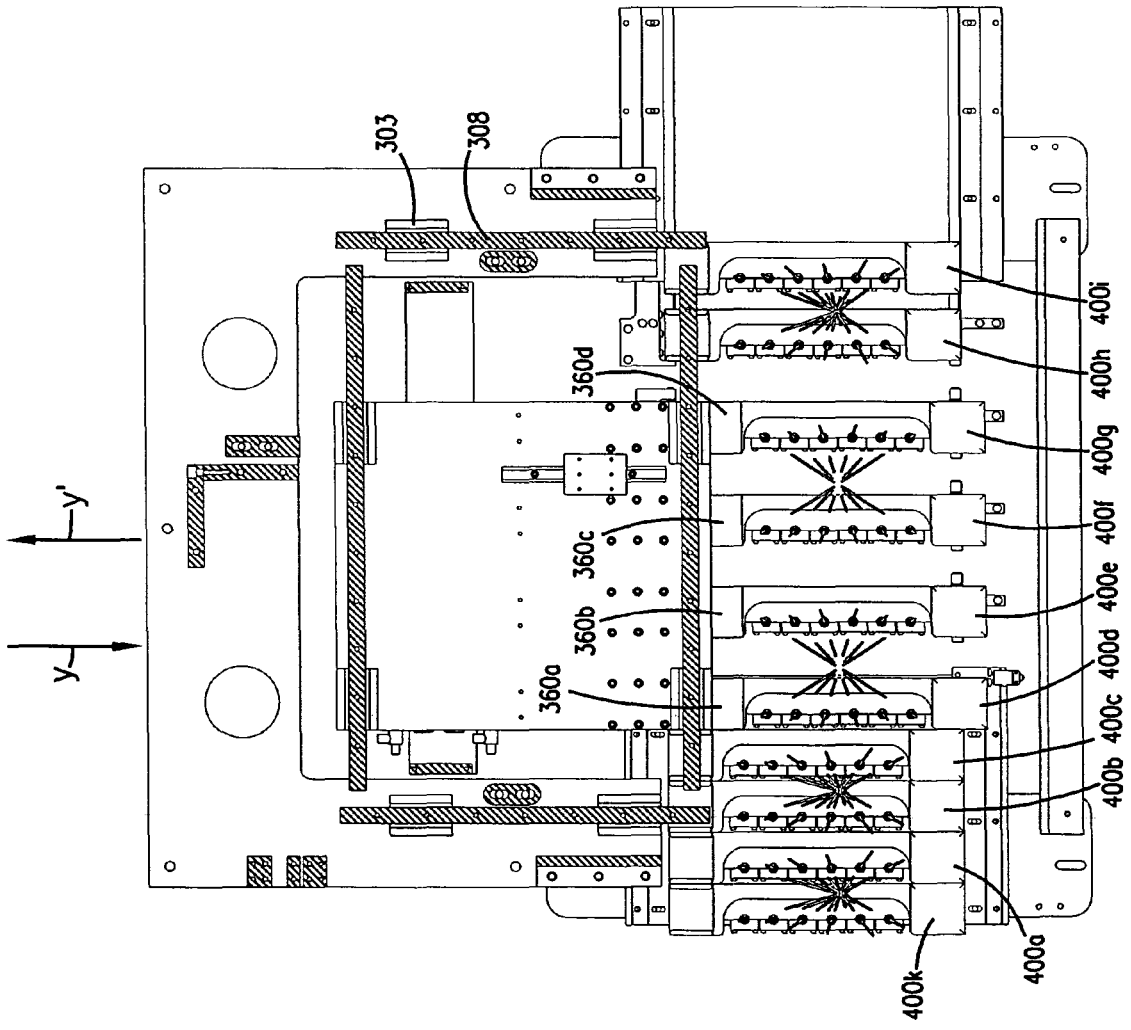
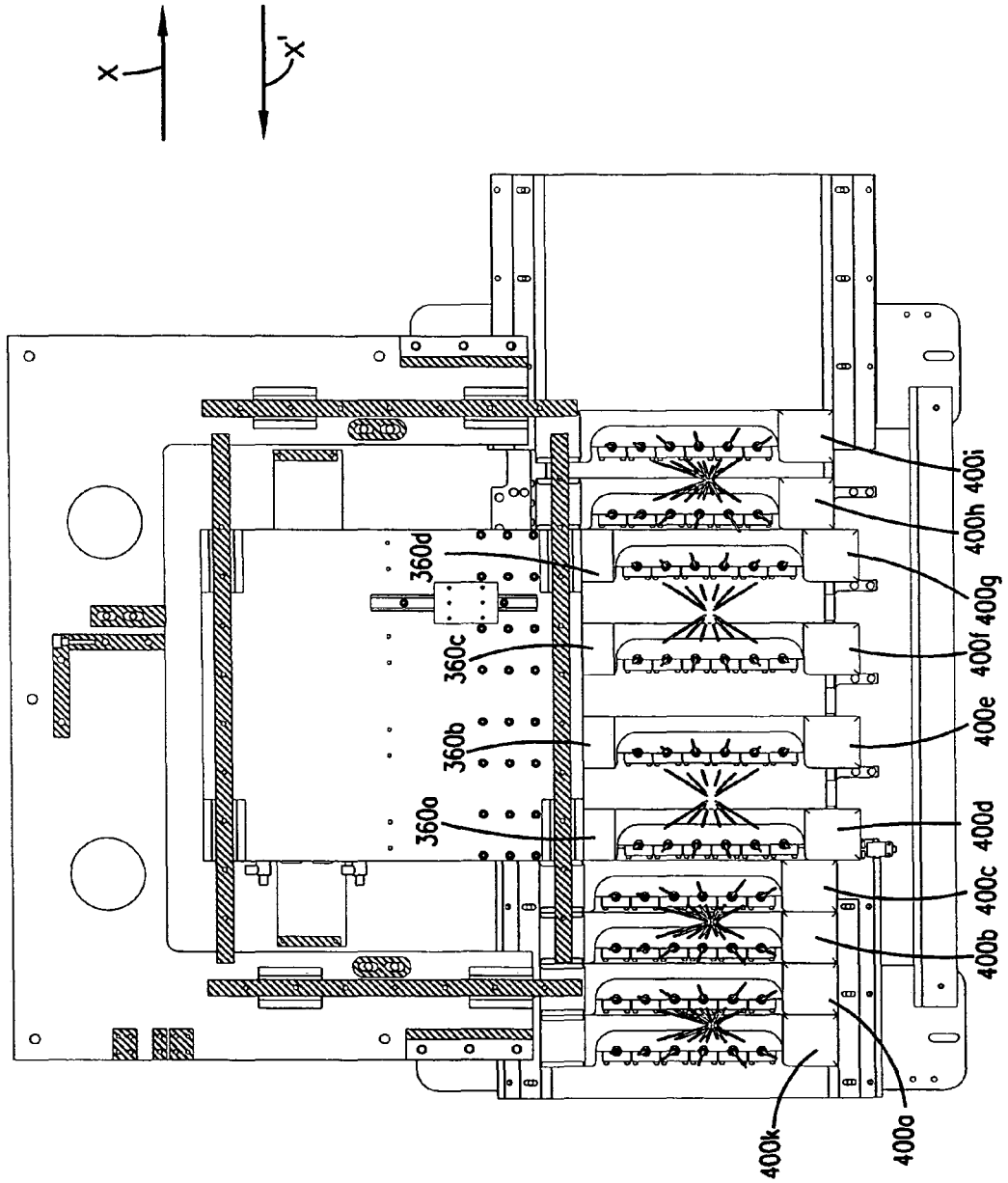


FIG. 28

FIG. 29



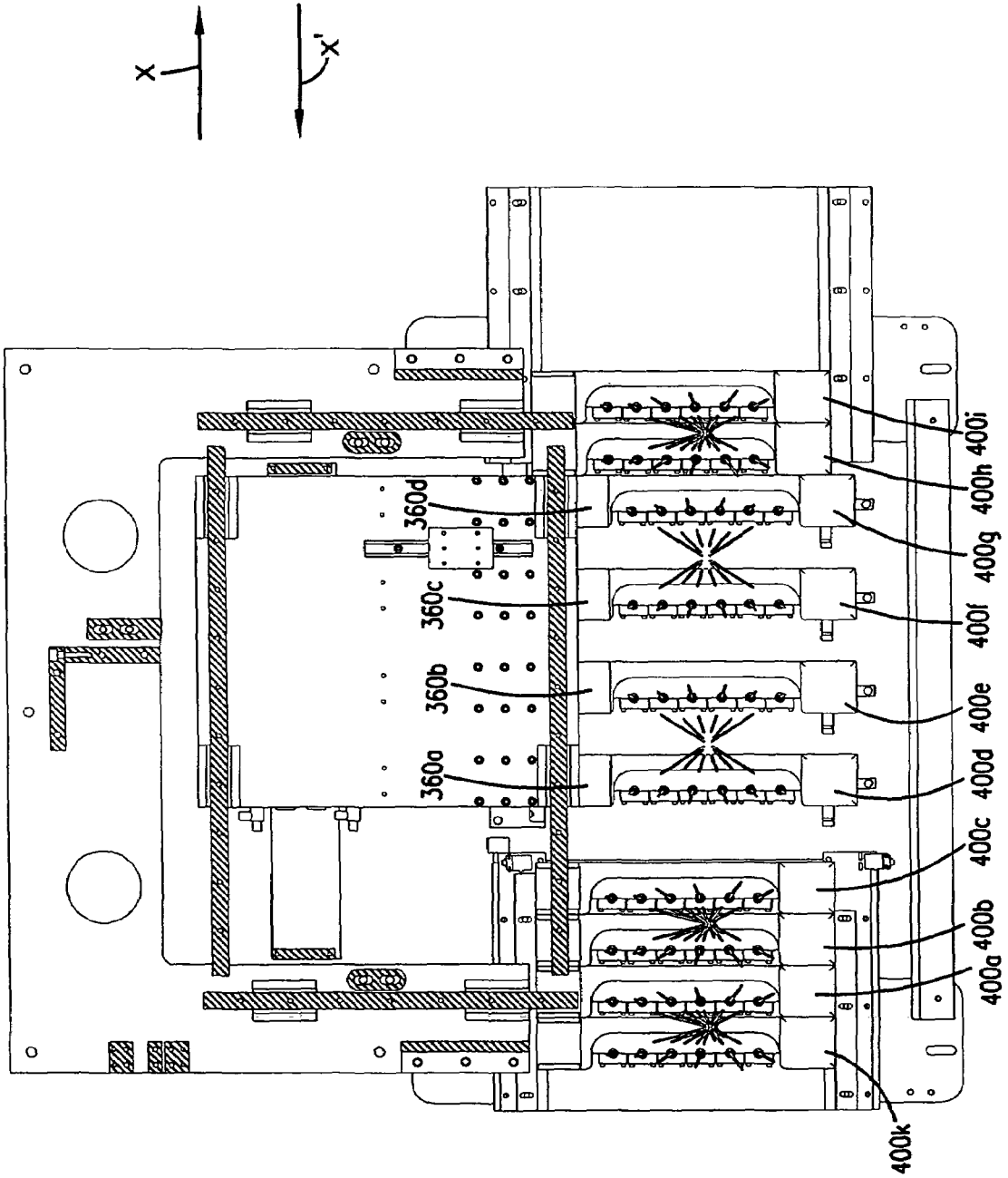


FIG. 30

FIG. 31

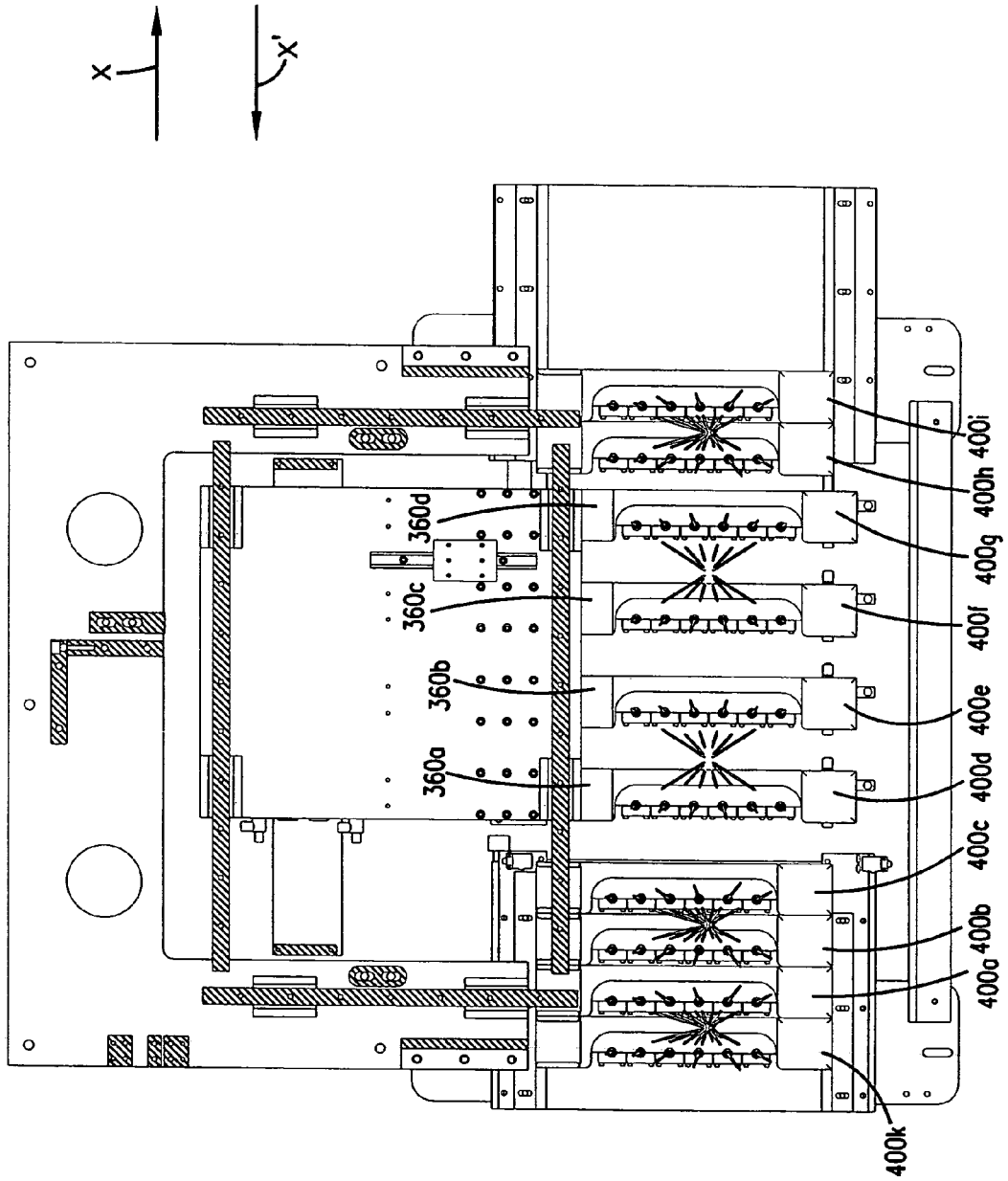


FIG. 31A

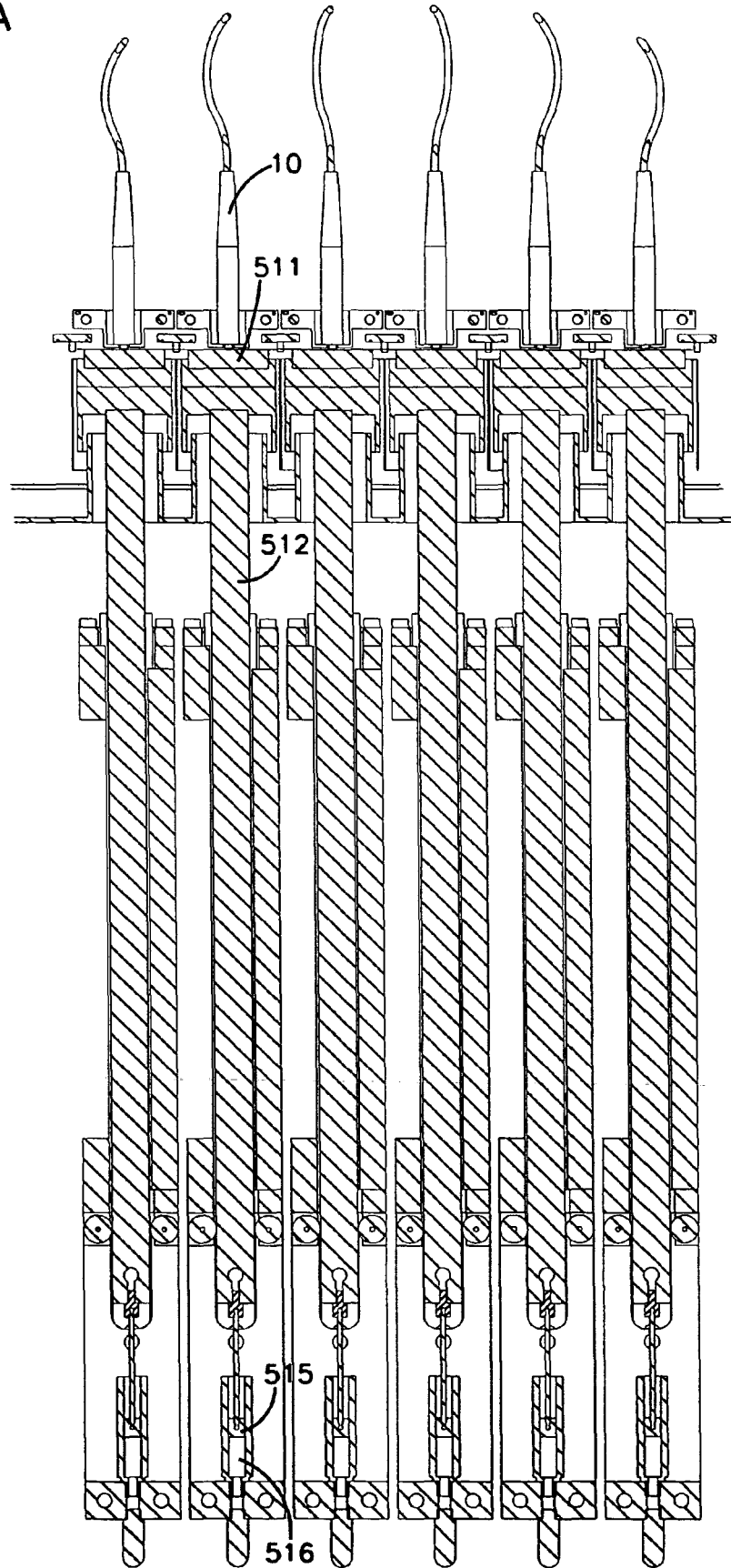
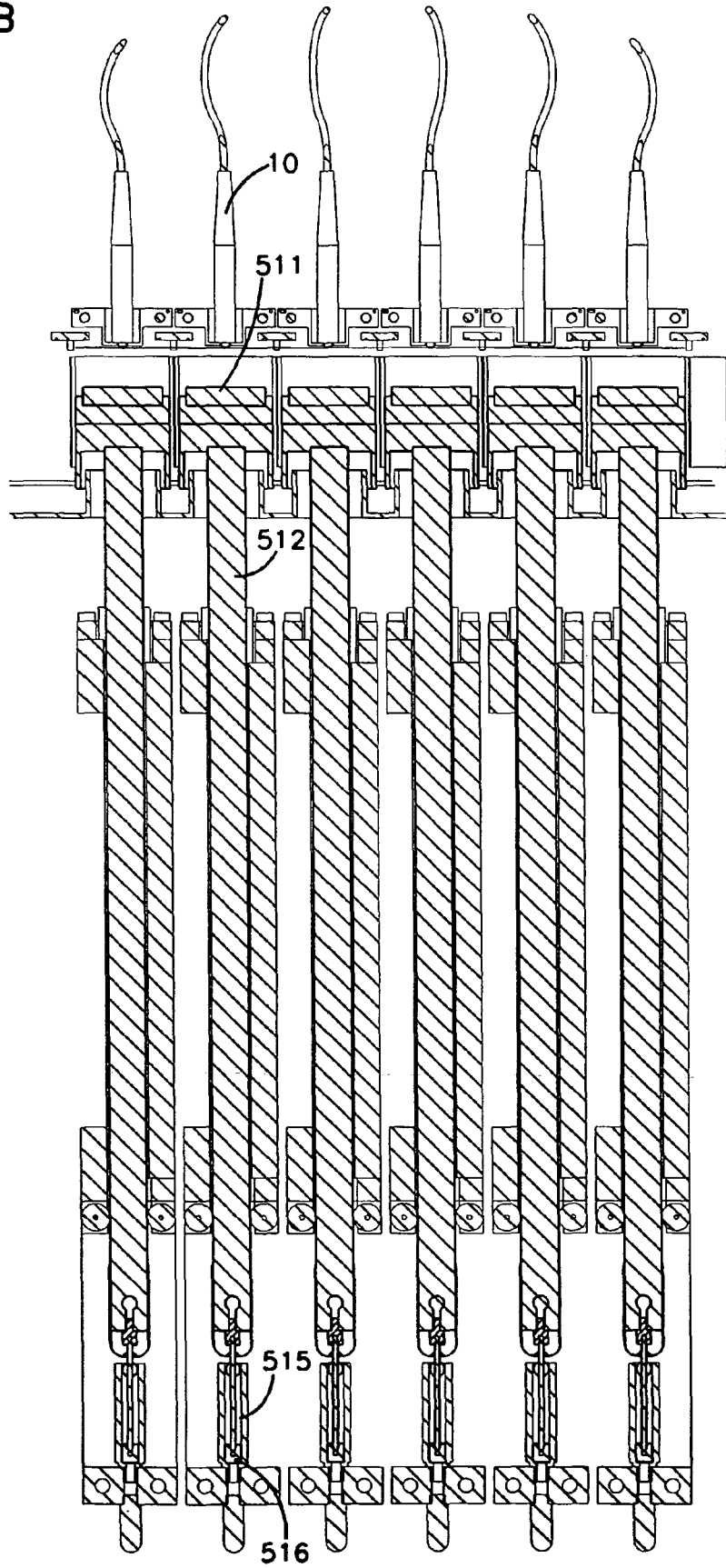




FIG.31B



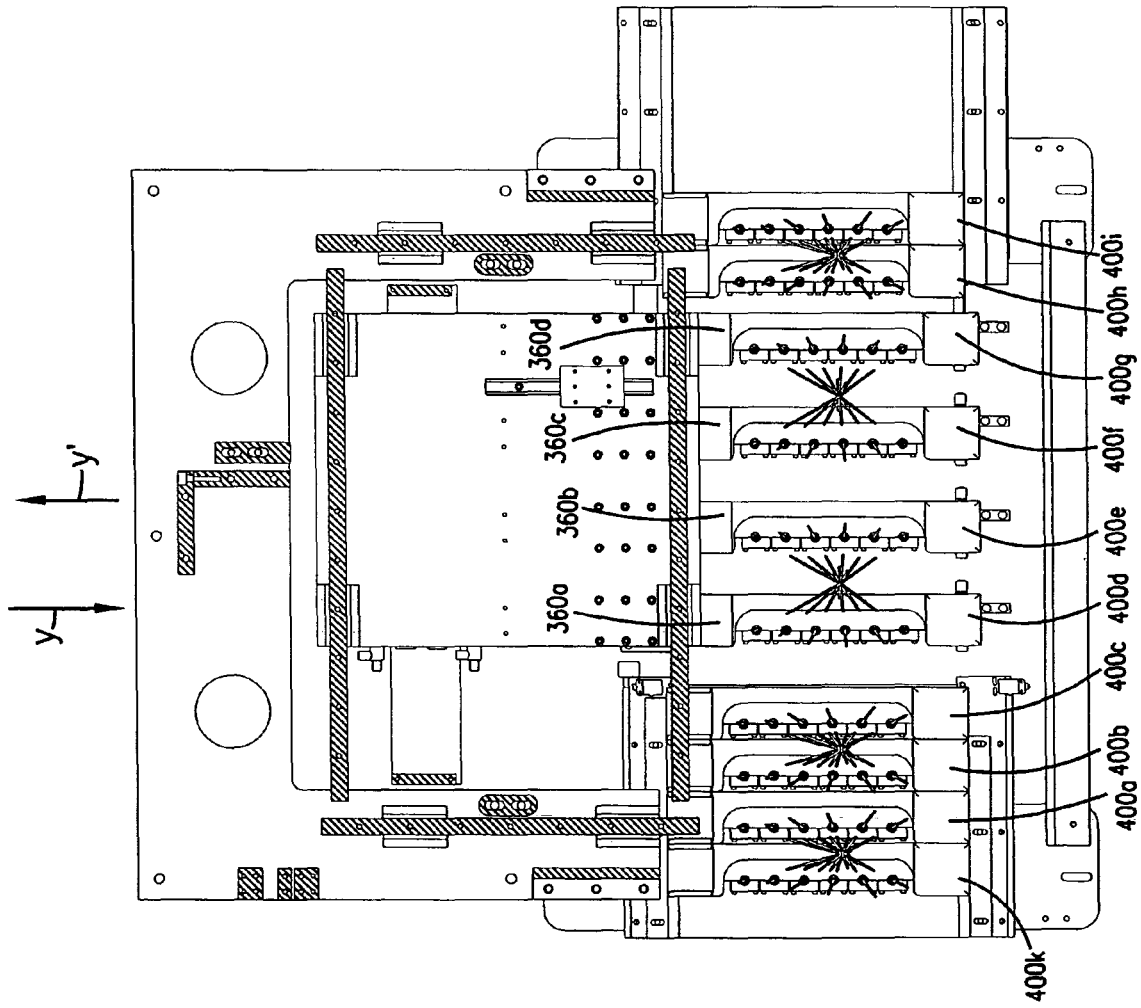


FIG. 32

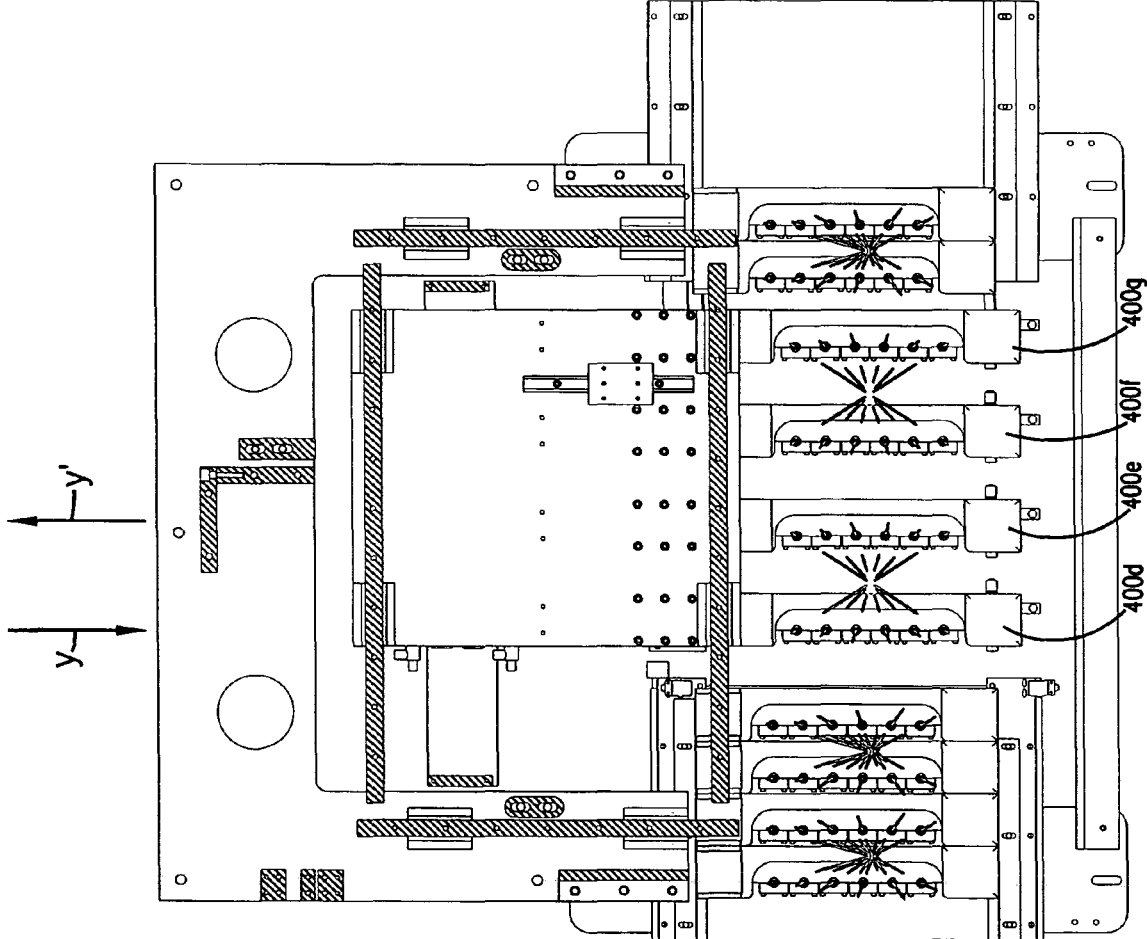


FIG. 33

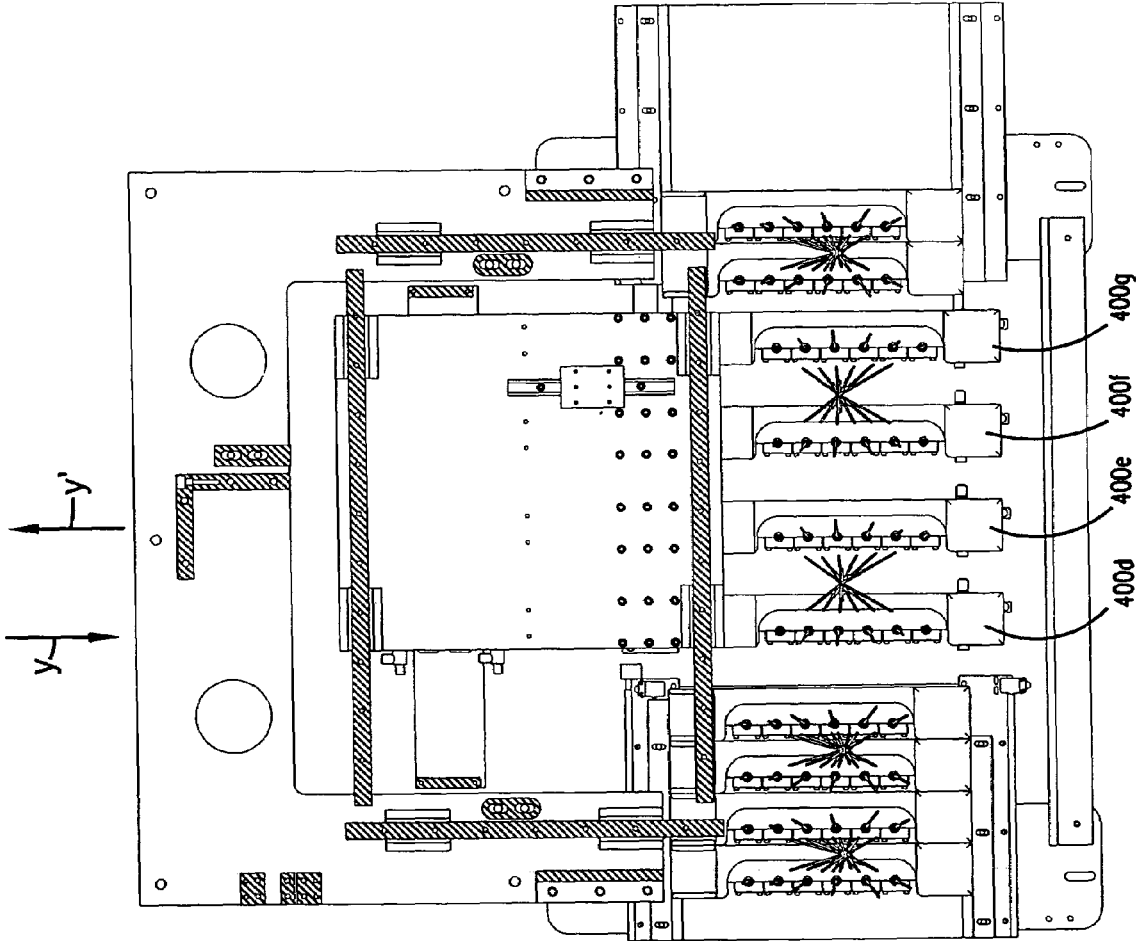


FIG. 34

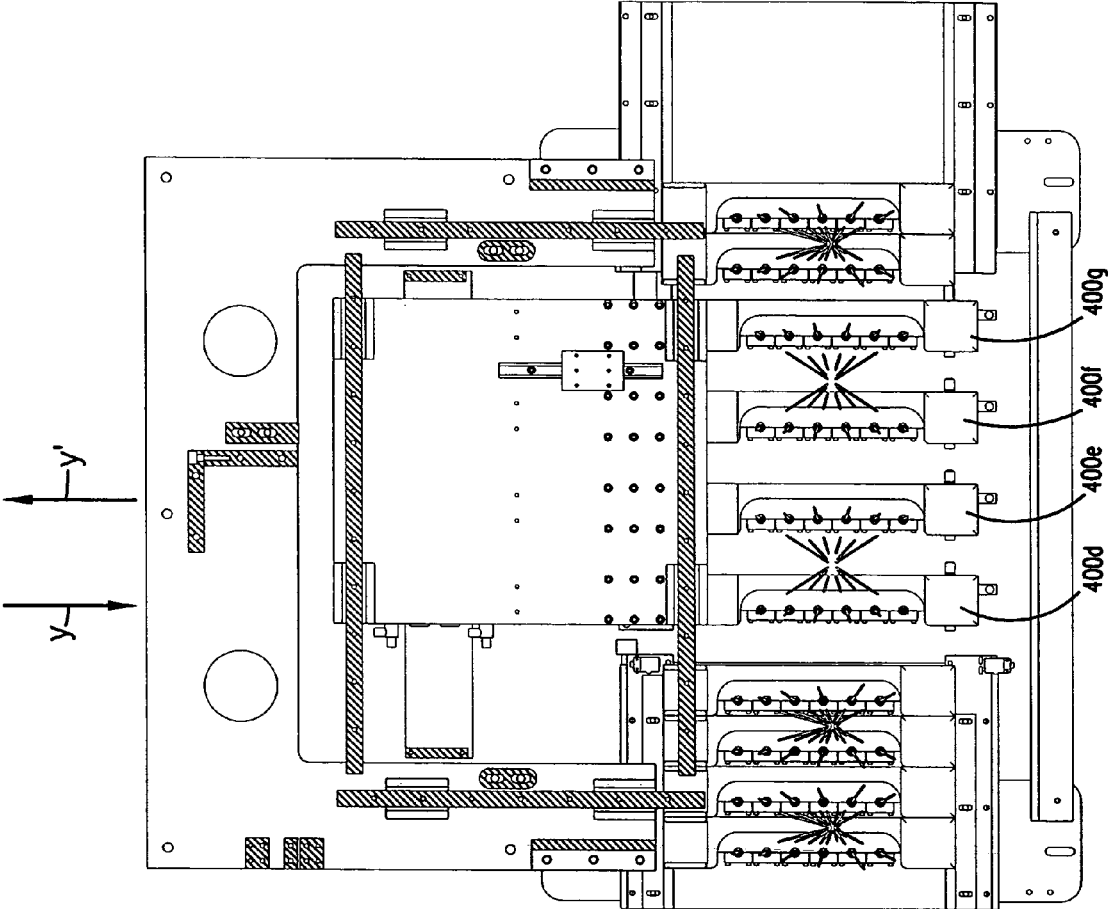


FIG. 35

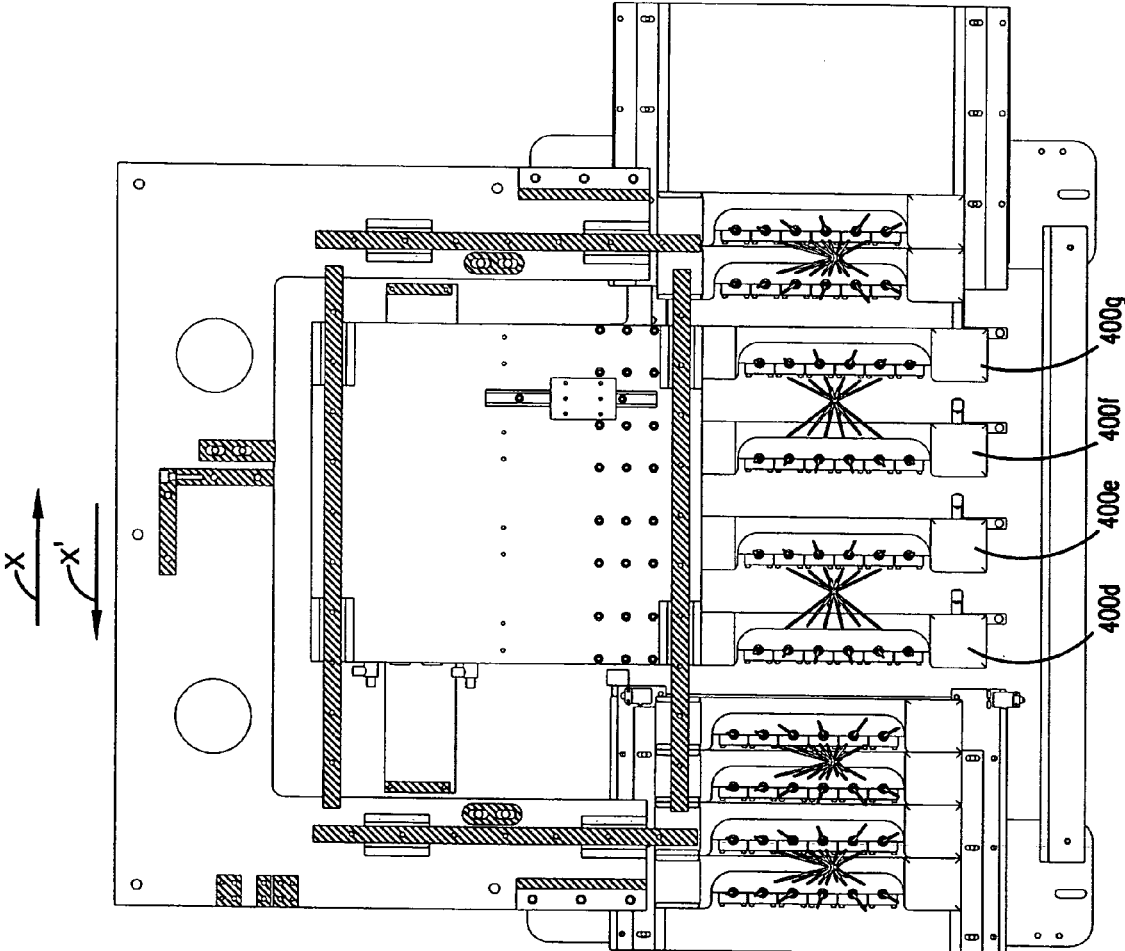


FIG. 36

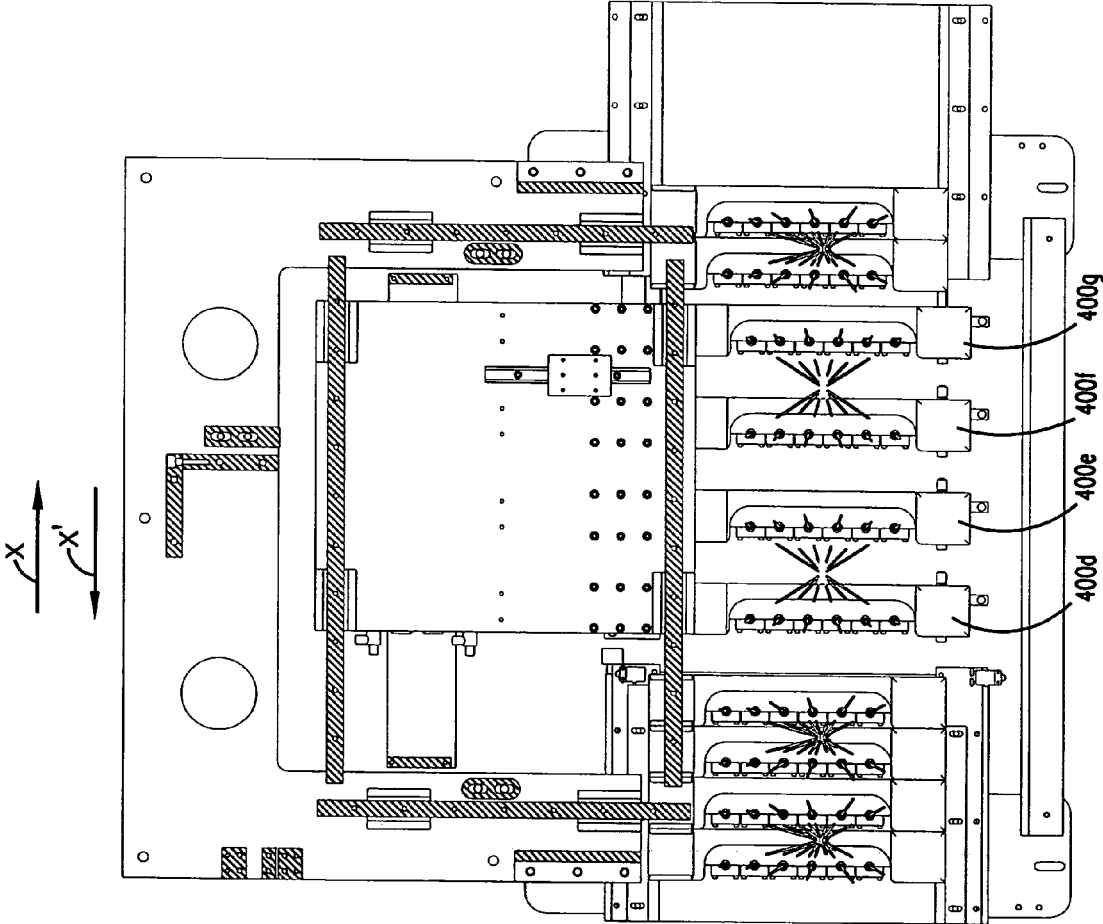


FIG. 37

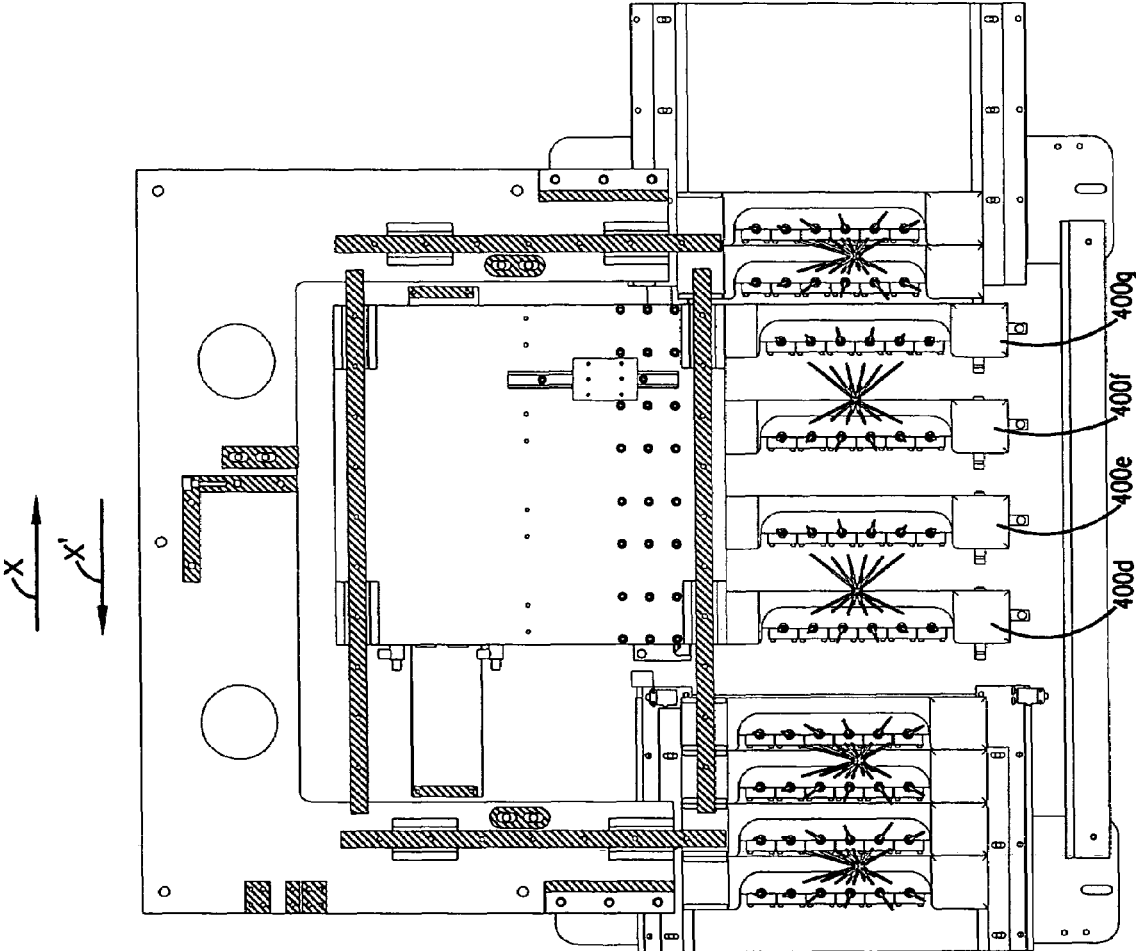


FIG. 38



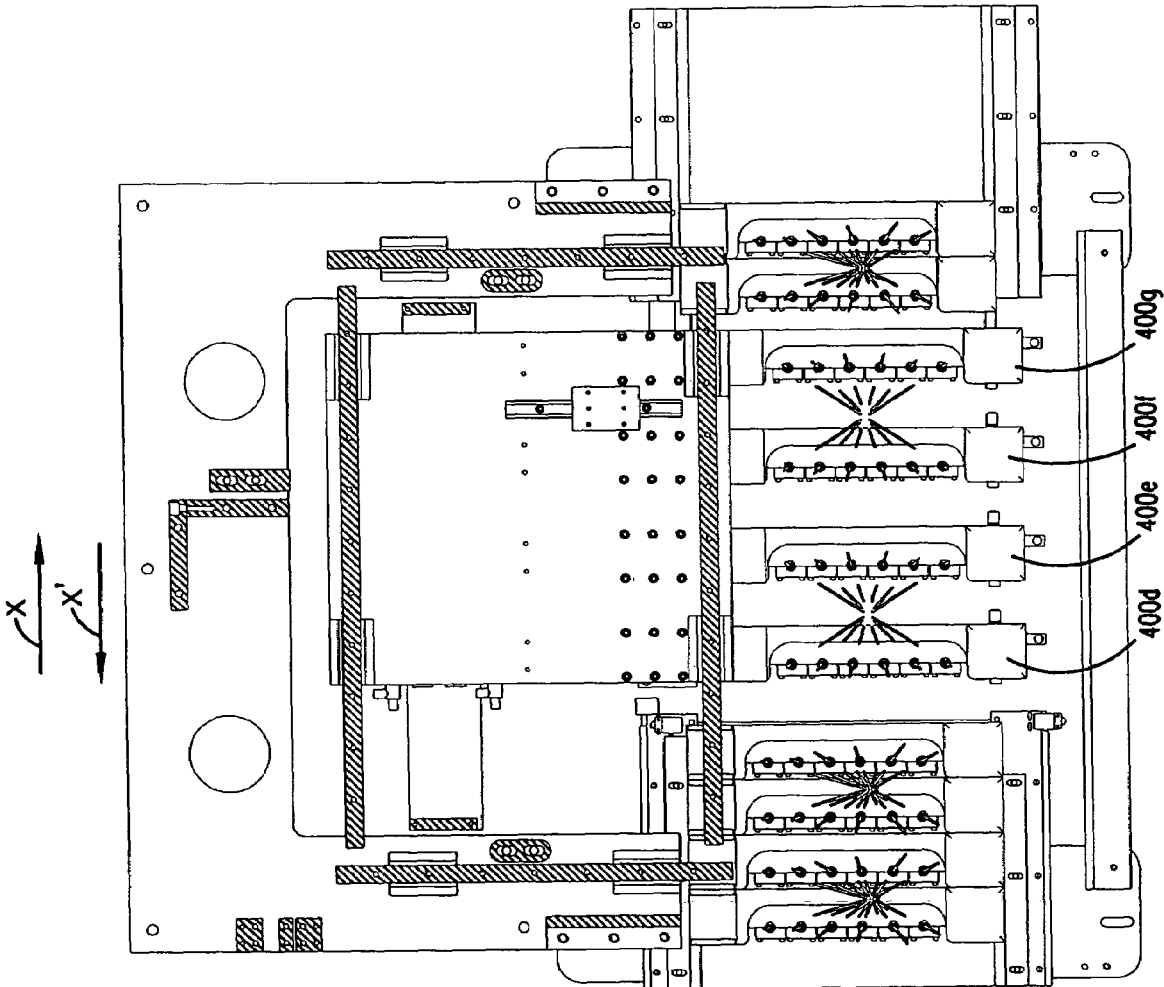


FIG. 39

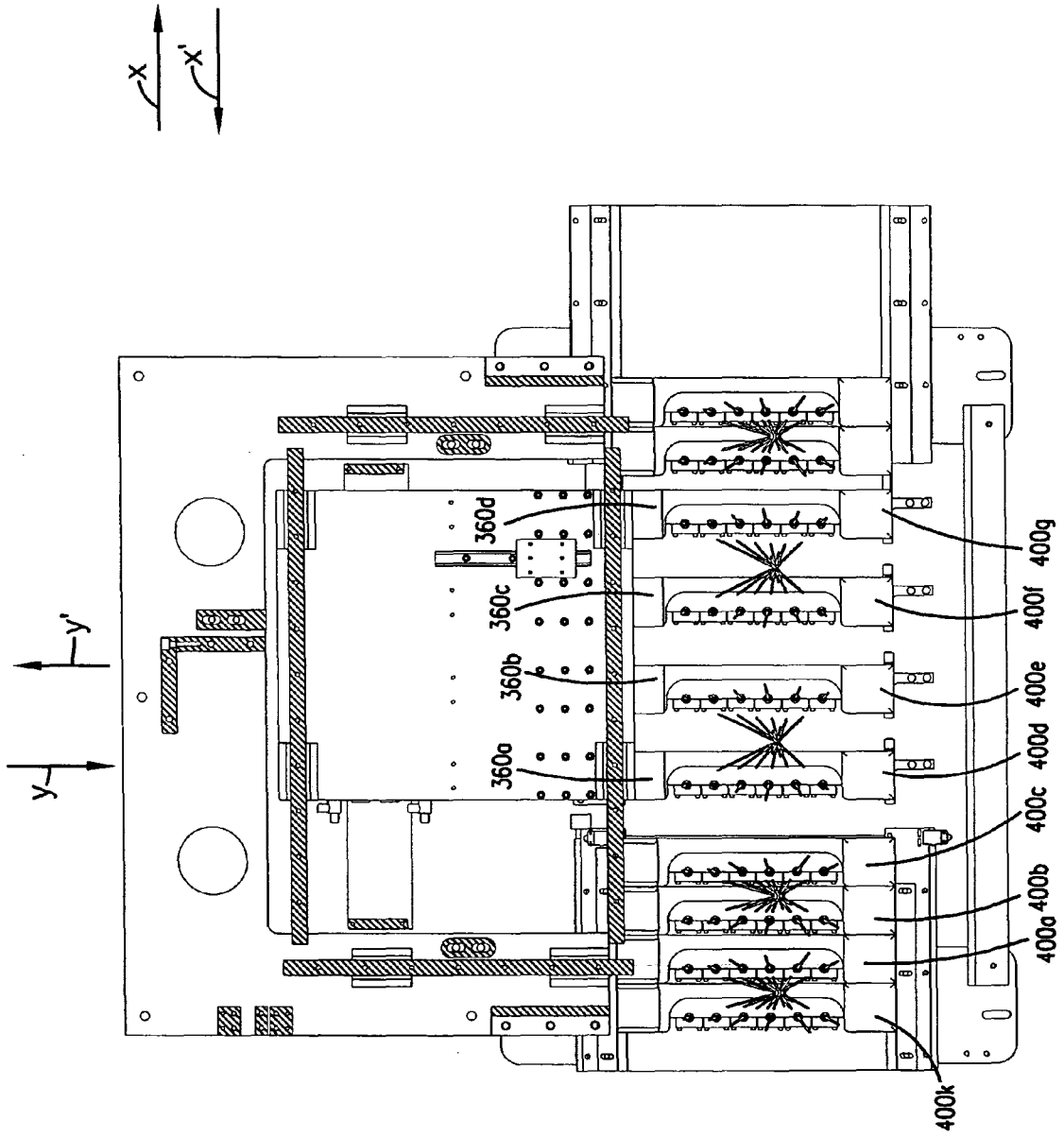


FIG. 40

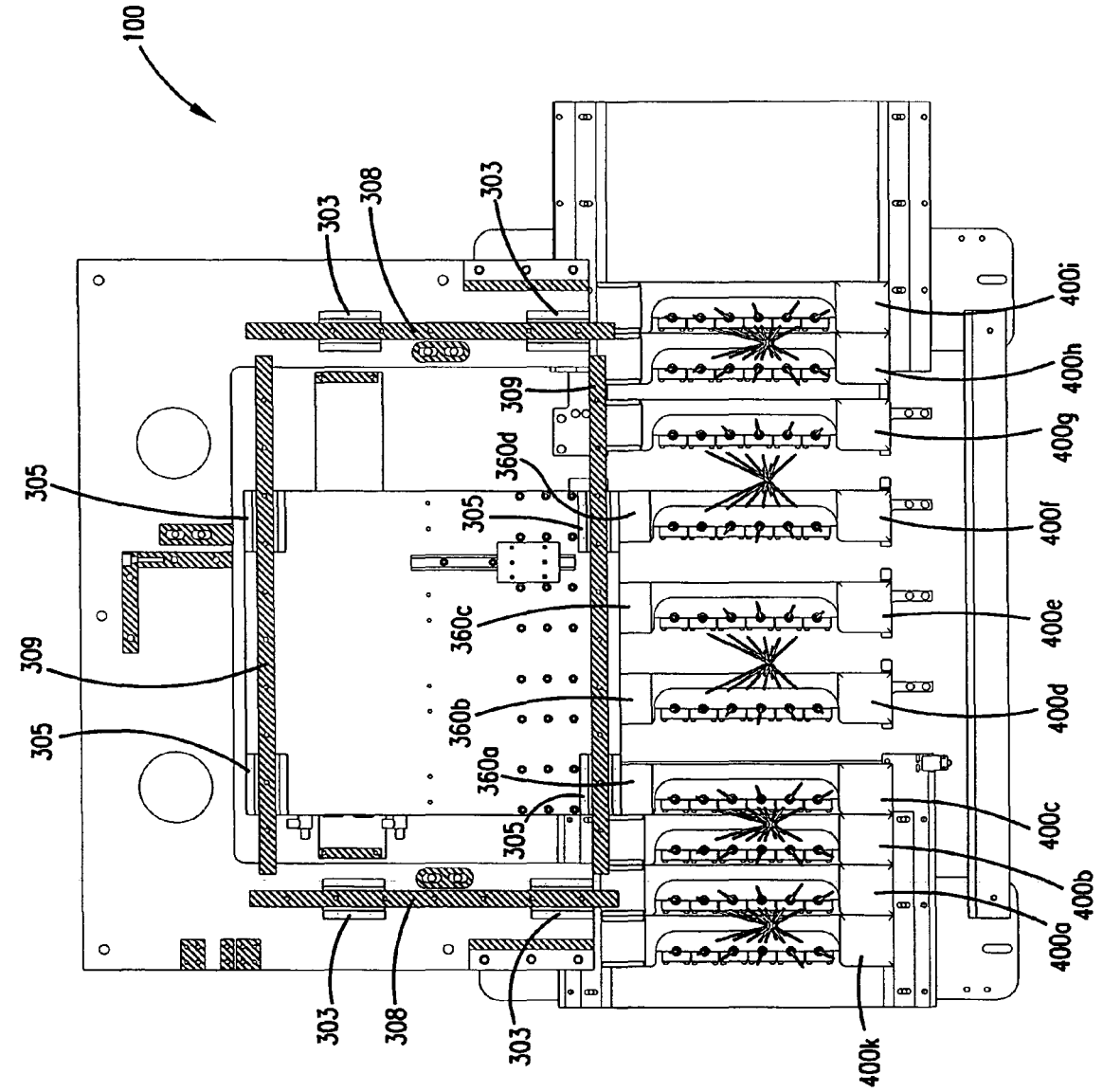


FIG. 41

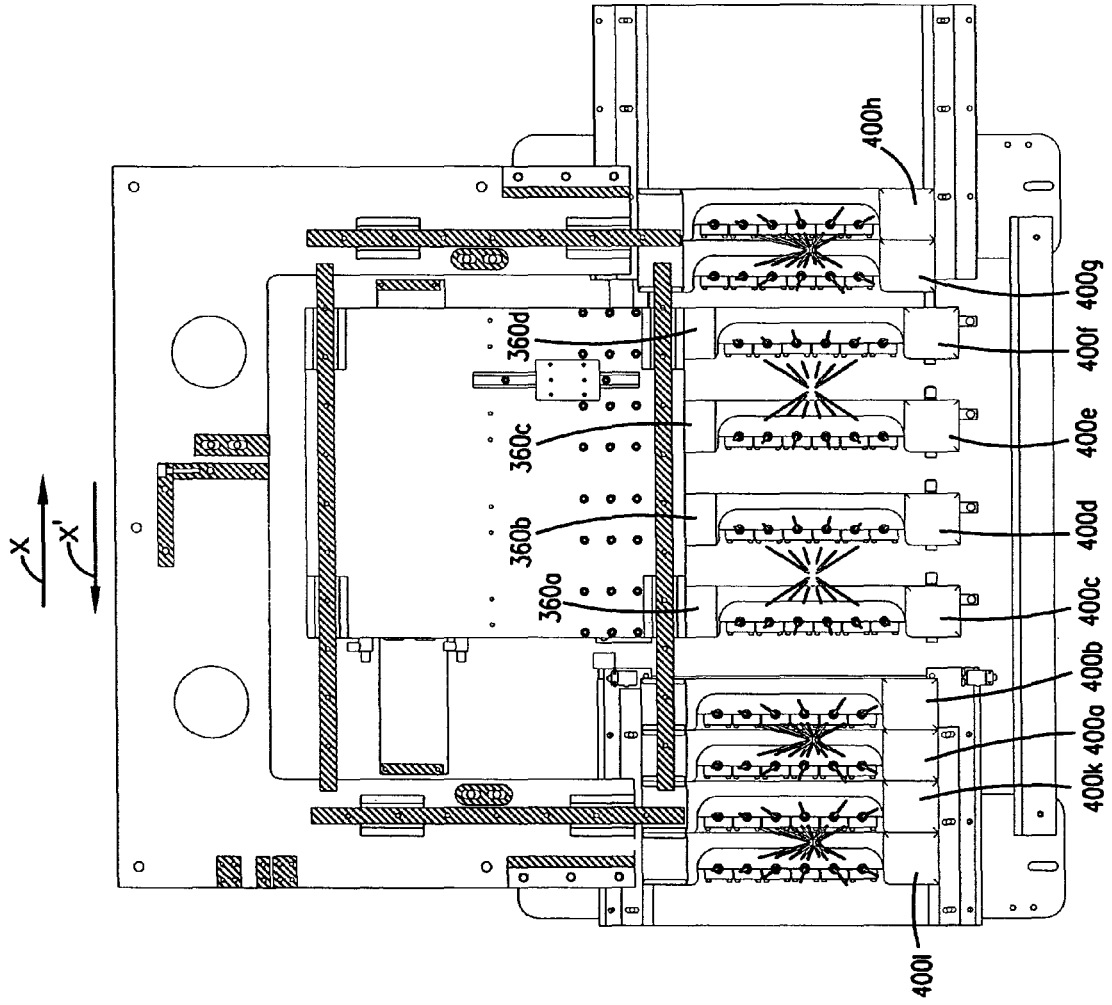


FIG. 42

1

## APPARATUS AND METHOD FOR POLISHING A FIBER OPTIC CONNECTOR

### RELATED APPLICATION

This application is a divisional of U.S. patent application Ser. No. 10/356,358, filed on Jan. 31, 2003 now U.S. Pat. No. 6,918,816 and entitled "Apparatus and Method for Polishing a Fiber Optic Connector," the entirety of which is hereby incorporated by reference.

### FIELD OF THE INVENTION

The present invention relates generally to an apparatus and method for manufacturing fiber optic connectors. More particularly, the present invention relates to an apparatus and method for polishing fiber optic connectors to improve the performance characteristics of the connectors.

### BACKGROUND OF THE INVENTION

Fiber optic connectors are used to terminate the ends of fiber optic cables. There are many different fiber optic connector types. Example types of fiber optic connectors include FC-type, SC-type, ST-type and D4-type.

FIG. 1 shows a typical connector 10. A ferrule 12 is located inside the connector 10. The ferrule 12 is a relatively long, thin cylinder preferably made of a material such as ceramic. Other materials such as metal or plastic can also be used to make the ferrule 12. The ferrule 12 defines a central opening 14 sized to receive a fiber 16 of a given cladding diameter. An epoxy is typically placed into the opening 14 prior to inserting the fiber 16 to hold the fiber 16 in place. The ferrule 12 functions to align and center the fiber 16, as well as to protect it from damage.

Referring still to FIG. 1, the ferrule 12 is supported within a connector body 18 typically made of a material such as metal or plastic. The connector body 18 is typically bonded to fiber optic cable 20 (e.g., the cable 20 can include a reinforcing layer made of a material such as Kevlar that is affixed to the connector 18). A strain relief boot 22 protects the junction between the connector 18 and the cable 20. Two connectors are preferably interconnected through the use of an adapter 24. Adapter 24 includes a sleeve 26 sized to receive the ferrules of the connectors desired to be connected. For example, ferrule 12 of connector 10 is inserted into a first end 28 of the sleeve 26, while a ferrule (not shown) of a connector desired to be connected to the connector 10 is inserted into a second end 30 of the sleeve 26. As so inserted, the ends of the ferrules about one another within the sleeve 26 such that their corresponding fibers are held in alignment with one another.

It is desirable to minimize the loss of signals passing through the fiber. Parameters for evaluating the performance of a connector include insertion loss and return loss. Insertion loss is the measurement of the amount of power that is transferred through a coupling from an input fiber to an output fiber. Return loss is the measurement of the amount of power that is reflected back into the input fiber. To enhance signal quality and therefore optimize insertion/return loss, it is desirable to polish an end face 13 of the ferrule 12. During the polishing process, the ferrule 12 is commonly held in a fixture, and the end 13 is pressed against an oscillating and rotating disk. Frequently, the end 13 is polished to form a spherical polished surface oriented along a plane that is perpendicular with respect to the longitudinal axis of the fiber 16. However, for some applications, the end

2

13 is polished to form a spherical surface aligned at an oblique angle with respect to the longitudinal axis of the fiber 13.

FIG. 2 is a block diagram showing the steps of a convention ferrule polishing technique for providing a rounded ferrule tip. During a first polishing step 70, a hackle of the fiber and residue epoxy are removed from the ferrule tip typically by a hand-sanding process or automated system such as an epoxy removal machine. After the hackle and epoxy have been removed, the tip of the ferrule is machine polished using two or more polishing films (e.g., of varying coarseness) so as to more precisely form an apex and radius into the tip of the ferrule (see step 72). Next, the tip of the ferrule is machine polished with a final polish film as indicated by step 74. During the polishing process, an index layer is formed at the tip of the fiber within the ferrule. The index layer has undesirable optical properties. Thus, at final step 76, the tip of the ferrule is polished with a cerium oxide film causing the fiber to be recessed slightly into the ferrule a distance sufficient to remove the index layer. For some applications, the tip is recessed prior to the final polish, as disclosed, for example, in U.S. patent application Ser. No. 10/071,856, filed Feb. 8, 2002, which is hereby incorporated by reference.

### SUMMARY OF THE INVENTION

One aspect of the present invention relates to a fiber optic connector polishing apparatus and method for polishing fiber optic connectors to improve the performance characteristics of the connectors.

A variety of advantages of the invention will be set forth in part in the description that follows, and in part will be apparent from the description, or may be learned by practicing the invention. It is to be understood that both the foregoing general description and the following detailed description are exemplary and explanatory only and are not restrictive of the invention as claimed.

### BRIEF DESCRIPTION OF THE DRAWINGS

The accompanying drawings, which are incorporated in and constitute a part of the specification, illustrate several aspects of the invention and together with the description, serve to explain the principles of the invention. A brief description of the drawings is as follows:

FIG. 1 illustrates a typical prior art connector;

FIG. 2 illustrates a prior art polishing technique;

FIG. 3 is a perspective plan view of an example embodiment of a polishing apparatus made in accordance with the present invention;

FIG. 4 is front view of the example polishing apparatus of FIG. 3;

FIG. 5 is a side view of the example polishing apparatus of FIG. 3;

FIG. 6 is a top view of the example polishing apparatus of FIG. 3;

FIG. 7 is a perspective view of the polishing apparatus of FIG. 3 with various components including a cover of the drive mechanism omitted for clarity;

FIG. 7A is a cross-sectional view taken along section line CC—CC of FIG. 26 with various components including the fixtures omitted for clarity;

FIG. 8 is a front view of the polishing apparatus of FIG. 7;

FIG. 9 is a first side view of the polishing apparatus of FIG. 7;

3

FIG. 10 is a second side view of the polishing apparatus of FIG. 7;

FIG. 11 is a top view of the polishing apparatus of FIG. 7;

FIG. 12 is a perspective plan view of an example embodiment of a fixture shown in isolation;

FIG. 13 is a side view of the fixture of FIG. 12;

FIG. 14 is a top view of the fixture of FIG. 12;

FIG. 15 is a cross-sectional view taken along section line A—A of FIG. 14;

FIG. 16 is a first perspective plan view of an example embodiment of a polishing sub-assembly shown in isolation;

FIG. 17 is a second perspective view of the polishing sub-assembly of FIG. 16;

FIG. 18 is a front view of the polishing sub-assembly of FIG. 16;

FIG. 19 is a first side view of the polishing sub-assembly of FIG. 16;

FIG. 20 is a second side view of the polishing sub-assembly of FIG. 16;

FIG. 21 is a top view of the polishing sub-assembly of FIG. 16;

FIG. 22 is a cross-sectional view taken along section line B—B of FIG. 18 of the polishing sub-assembly;

FIG. 23 is an enlarged view of a portion of the sub-assembly shown in FIG. 22;

FIG. 24 is a cross-sectional view taken along section line C—C of FIG. 21 of the polishing sub-assembly;

FIG. 25 is an enlarged view of a portion of the polishing sub-assembly shown in FIG. 24;

FIG. 26 is a front view of a portion of the example embodiment of the polishing apparatus with the fixtures in a nested position;

FIG. 27 is a cross-sectional view taken along section line D—D of FIG. 26 of the polishing apparatus;

FIG. 28 is a cross-sectional view taken along section line D—D of FIG. 26 illustrating the gripper arms coupled to the fixtures and the fixtures moved to an un-nested position;

FIG. 29 is a cross-sectional view taken along section line D—D of FIG. 26 illustrating the fixtures in a pre-push position;

FIG. 30 is a cross-sectional view taken along section line D—D of FIG. 26 illustrating the fixtures in a post-push position;

FIG. 31 is a cross-sectional view taken along section line D—D of FIG. 26 illustrating the fixtures in position to begin the polishing cycle;

FIG. 31A is an enlarged view of a portion of the polishing sub-assembly illustrating the pad system in a raised position;

FIG. 31B is an enlarged view of a portion of the polishing sub-assembly illustrating the pad system in a lowered position;

FIG. 32 is a cross-sectional view taken along section line D—D of FIG. 26 illustrating the fixtures moved in the Y' direction;

FIG. 33 is a cross-sectional view taken along section line D—D of FIG. 26 illustrating the fixtures moved back in the Y direction to their initial position;

FIG. 34 is a cross-sectional view taken along section line D—D of FIG. 26 illustrating the fixtures moved in the Y direction;

FIG. 35 is a cross-sectional view taken along section line D—D of FIG. 26 illustrating the fixtures moved back in the Y' direction to their initial position;

FIG. 36 is a cross-sectional view taken along section line D—D of FIG. 26 illustrating the fixtures moved in the X' direction;

4

FIG. 37 is a cross-sectional view taken along section line D—D of FIG. 26 illustrating the fixtures moved back in the X direction to their initial position;

FIG. 38 is a cross-sectional view taken along section line D—D of FIG. 26 illustrating the fixtures moved in the X direction;

FIG. 39 is a cross-sectional view taken along section line D—D of FIG. 26 illustrating the fixtures moved back in the X' direction to their initial position;

FIG. 40 is a cross-sectional view taken along section line D—D of FIG. 26 illustrating the fixtures in the nested position;

FIG. 41 is a cross-sectional view taken along section line D—D of FIG. 26 illustrating the gripper arms indexed in the X' direction; and

FIG. 42 is a cross-sectional view taken along section line D—D of FIG. 26 illustrating the fixtures indexed in the X direction one polishing sub-assembly.

While the invention is amenable to various modifications and alternative forms, the specifics there have been shown by way of example in the drawings and will be described in detail below. It is to be understood, however, that the intention is not to limit the invention to a particular embodiment. On the contrary, the intention is to cover all modifications, equivalents and alternatives falling within the scope of the invention as defined by the appended claims.

#### DETAILED DESCRIPTION

In the following detailed description, references are made to the accompanying drawings that depict various embodiments which are examples of how inventive concepts in accordance with the principles of the present disclosure may be practiced. It is to be understood that other embodiments may be utilized, and that structural and functional changes may be made without departing from the scope of the present invention.

The disclosure generally relates to a polishing apparatus for polishing end faces of fiber optic connectors (e.g. end face 13 of the fiber optic connector 10 of FIG. 1), such as the example embodiment of a polishing apparatus 100 as shown in FIGS. 3–6. The polishing apparatus 100 may generally include a support system 200 and one or more fixtures 400 configured to hold a plurality of fiber optic connectors. A drive mechanism 300 may be coupled to the support system to move the fixtures 400 in one or more directions. Also provided is a polishing sub-assembly 500 including various components to polish the plurality of fiber optic connectors held by the fixtures 400. A control panel 700 for controlling the polishing apparatus 100 may also be provided.

A detailed description is provided below of the various components comprising the example polishing apparatus 100 and a method of using the polishing apparatus 100. The description below is provided by way of example only. Other configurations and methods of use are also possible with departing from the spirit of the invention.

#### I. The Support System

Referring again to FIGS. 3–6, the polishing apparatus 100 includes the example support system 200. The support system 200 generally includes a support structure 210 that is configured to support the components of the polishing apparatus 100, including the fixtures 400, the drive mechanism 300, the polishing sub-assemblies 500, and the control panel 700. Also included is a drive mechanism cover 215 covering the drive mechanism 300, as well as an electrical components housing 230 covering various electrical com-

ponents used to control the polishing apparatus 100. A plurality of fixed supports 240 (e.g., adjustable feet) and wheels 245 are also provided to allow for the support and relocation of the polishing apparatus 100.

A plurality of cable supports 220 is also provided. The cable supports 220 generally function to hold an end segment of one or more fiber optic cables and allow the end segment to extend through the cable support 220 and over the fixtures 400. As shown in FIG. 5, this fiber optic cable 219 may include a plurality of smaller cables 221, each being terminated by a connector, such as the connector 10. For example, in the embodiment shown in FIG. 5, the larger cable is maintained on a separate support (not shown) positioned adjacent each cable support 220. An end segment 219a of the larger cable is extended through the cable support 220, and each of the connectors 10 of each of the smaller cables 221 contained therein are held by fixtures 400 positioned below each cable support 220.

In the example embodiment shown, the cable supports 220 are mounted to a railway 225 and are configured to slide along the railway 225 as the fixtures 400 are moved, as described in detail below. The railway 225 may be supported separately from the polishing apparatus 100, as is shown in the example embodiment. Alternatively, the railway 225 may be coupled to and supported by the polishing apparatus 100.

## II. The Drive Mechanism

Referring now to FIGS. 7–11, the cover 215 has been removed to illustrate the drive mechanism 300 with greater clarity. The drive mechanism generally includes a Y-table 302 and an X-table 304 (see FIGS. 9 and 10). The Y-table 302 includes a Y-drive 310 and bearings 303 (see also FIGS. 27–42) that are mounted to a flat support 250 of the support system 200. The Y-table 302 is coupled to the Y-drive 310 and the bearings 303 so that the Y-drive 310 can move the Y-table 302 forward in a Y direction and backward in a Y' direction.

The X-table 304 is coupled to a bottom of the Y-table 302 so that the X-table 304 also moves with the Y-table 302 in the Y and Y' directions. The X-table 304 is coupled to the Y-table using bearings 305 (see FIGS. 27–42) and includes an X-drive 315 mounted to a support 255 coupled by supports 256 to the support 250 and extending over the X and Y tables 302 and 304. An X-drive shaft 319 (see FIGS. 7, 7A, and 27) extends from the X-drive 315 through an aperture 320 (see FIG. 11) formed in the Y-table 302 and is coupled to a bearing 316 that rides on a rail 317 coupled to the X-table 304.

The X-drive 315 can, through the X-drive shaft 319, cause the X-table 304 to move in an X direction and opposite X' direction. When the Y-drive causes the table to move in the Y and Y' directions, the X-table 304 also moves in the Y and Y' directions because the bearing 316 rides along the rail 317, allowing the X-table 304 to move in the Y and Y' directions while the X-drive shaft 319 and the X-drive 315 remains stationary or moves in the X and X' directions.

The X-table 304 is, in turn, coupled to each of the plurality of fixtures 400. In this configuration, the drive mechanism 300 can move the fixtures 400 in both the X, X', Y, and Y' directions or a combination thereof.

Both the Y-drive 310 and the X-drive 315 are coupled directly to the support system 200 and are mounted in a fixed position (i.e. the Y-drive is fixedly mounted to the support 250 and the X-drive is fixedly connected to the support 255). This may be advantageous for several reasons, including: (1) any supporting components, such as electrical cords (if the

Y and X-drives are electrically driven, as is the case in the example embodiment shown) or air housing (if the Y and X-drives are pneumatically driven) are held in a stationary position, thereby eliminating any flexure which may cause stress and subsequent failure; and (2) fixedly-coupling the drives may reduce or eliminate possible fluctuations in movement in the Y, Y', X, and X' directions due to vibration and/or other disturbances transmitted to the Y and X-drives.

## III. The Fixtures

Referring now to FIG. 12–15, each fixture 400 includes a plurality of connector locations 410 sized to each receive a body of a fiber optic connector (e.g., connector body 18 of the fiber optic connector 10 shown in FIG. 1) and allow an end face of each fiber optic connector (e.g., end face 13) to extend through each connector location 410. In the illustrated embodiment, each fixture 400 includes six connector locations 410 so that each fixture 400 can hold six connectors. In alternative embodiments, the fixture can be configured with more or fewer connector locations to hold more or fewer connectors, such as, for example, three connector locations to hold three connectors.

Each fixture 400 includes a main body 415. A plurality of moveable connecting slates 417 is coupled to the main body 415. The slates 417 cooperate with the main body 415 to define a plurality of nests 419 for receiving connectors 10. In the embodiment of FIG. 14, each nest 419 includes a half-nest 419a defined by the main body 415 and a half-nest 419b defined by a corresponding slate 417.

Each connecting slate 417 is coupled to the main body 415 using two fasteners (e.g., screws 420) threaded within openings 421 defined by the main body 415. Each screw 420 includes one or more “belville” washers to provide clamping force and compliance to allow the clamps to open. In addition, small metallic balls (not shown) are positioned in apertures 422 formed in a surface 424 of the main body 415 so that, when the connecting slates 417 are coupled to the main body 415, the balls are sandwiched between the main body 415 and the connecting slates 417. In this configuration, the screws 420 and the balls allow the connecting slates 417 to pivot with respect to the main body 415 and thereby increase the opening of the connector locations 410 to facilitate the introduction and removal of each fiber optic connector into and out of each fixture 400.

Alternative structures can also be used to hold each connector body within the fixture. For example, instead of clamping the ferrule of a connector, as describe above, another portion of the connector can be held to maintain the connector at a known orientation within the fixture. For example, the fixtures can be configured to clamp on the boot of each connector, and each fixture can include a close-tolerance hole through which the end face of each ferrule extends to be polished. This may be advantageous in that only a portion of the ferrule, including the end face, extends through the fixture to the polishing sub-assembly, so that the remainder of the connector body is isolated from any debris generated during polishing. In another embodiment, both an upper portion of a connector, such as the boot, as well as the ferrule can be clamped by the fixture to hold the connector in place during polishing. Other configurations are also possible.

Referring now to FIGS. 19, 20, and 22, each fixture 400 also includes a gripping feature 430 positioned on one end of the fixture 400. The gripping feature 430 is shaped to allow a gripping arm 360, which is mounted to the X-table 304, to grab and manipulate each fixture 400. The gripping feature 430 includes first and second opposing projections

432 and 434 that fit into a complementary geometry of the gripping arm 360. The gripper arm 360 further includes an air cylinder 364 coupled to the gripper arm 360 which causes a piston 362 to project against the projection 434 on the fixture 400, thereby further holding the fixture 400 in the gripper arm 360 and level with the polishing sub-assemblies described below.

In addition, the fixture 400 includes resting surfaces 435 used to support the fixture 400 when it is in a nested position, as described further below.

The fixture 400 is further designed to be used to hold the connectors 10 throughout other processes besides polishing, such as, for example, epoxy dispense, curing, and cleaving.

#### IV. The Polishing Sub-Assemblies

Referring now to FIGS. 16–24, an example embodiment of one polishing sub-assembly 500 is shown. The polishing sub-assembly 500 may generally include a pad system 510 (shown in FIG. 22), a polishing film system 540 (shown in FIG. 17), a fluid injection system 570 (shown in FIG. 23), and an optional rinsing system 580 (shown in FIG. 16). A circular tube guide 590 may also be provided to guide various wires and supply tubes, such as, for example, electrical wires, pressurized air tubes, and fluid tubes, into and out of the polishing sub-assembly 500.

Although only a single polishing sub-assembly 500 is described in detail below, a plurality of polishing sub-assemblies 500 may be included with the polishing apparatus 100. In the illustrated embodiment, four polishing sub-assemblies are provided so that four fixtures including connectors contained therein can be processed at one time. In alternative embodiments, more or fewer sub-assemblies can be provided to handle more or fewer fixtures at one time, such as, for example, between one and ten polishing sub-assemblies.

Detailed descriptions of examples systems comprising the polishing sub-assembly 500 are provided below. As previously stated, other configurations for the sub-assembly 500 are also possible.

##### (a) The Pad System

The pad system 510 is shown, for example, in FIGS. 22–25. The pad system 510 generally includes a plurality of pads 511 and corresponding pad shafts 512, preferably one pad 511 and one pad shaft 512 for each connector location 410 of each fixture 400. Each pad 511 is coupled to a first end of the pad shaft 512. A second end of the pad shaft 512 is coupled to a piston 515 positioned in a bore 516. As air is applied to the piston 515 in the shaft 516, the shaft 512 and attached pad 511 are moved in a vertical direction upward towards a connector held in the fixture 400 above the pad 511 (see FIG. 31A). Guides 513 and 514 assure that the pad is held in a known orientation (e.g., vertical) as it moves vertically up towards the connectors.

As described below, air can be applied in the bore 516 until the pad 511 moves vertically upwards to compress a polishing film against the end face 13 of each connector 10 with a desired force (e.g., ¾ lb. for polishing FC or SC connectors according to the example embodiment shown). As the air pressure in the bore 516 is reduced, the shaft 512 and attached pad 511 may move in an opposite direction back towards a resting position, thereby disengaging the pads 511 from the connectors 10 (see FIG. 311B).

Each bore 516 on the polishing sub-assembly 500 is fed air from a common air manifold 517 (see FIG. 16). Therefore, each bore 516 preferably receives the same air pressure provided by the air manifold. In this manner, each pad 511 may engage each end face 13 at an equal force regardless of

the position of each end face 13 with respect to each pad 511. In an alternative embodiment, pressure provided to each pad can be independently controlled, if desired.

In the illustrated embodiment, the pad system 510 utilizes a system of linear bearings so that each pad shaft and pad can be moved upwardly and downwardly with respect to the remainder of the polishing sub-assembly 500. Alternatively, other systems allowing the necessary movement of the pad shaft and pad can be used, such as, for example, a parallel linkage mechanism. This alternate type of mechanism may be advantageous to reduce the friction associated with the movement of the pad shaft.

Optionally, a system (not shown) can be provided to regulate the rate of accent of the pads towards the ferrules of the connectors. For example, each pad 511 or pad shaft 512 can be coupled to a cam that rotates as the pad moves upward to contact a ferrule. The cam can be regulated to control the rate of accession. After the pad contacts the ferrule and polishing begins, the pad and/or pad shaft is released from the cam. This may be advantageous so that the pads contact the ferrules with at a given rate.

In the example embodiment shown, the pads 511 are made of Neoprene. Other materials may also be used, such as Buna N, viton, urethane, silicone, etc. or any other material that can withstand deionized water or other fluids used and can be manufactured with the desired durometer (i.e., stiffness) for a given polishing application.

##### (b) The Polishing Film System

The polishing film system 540, as shown in FIGS. 19–22, generally includes polishing film 542, a spool 546, a used film collection bin 544, a pincher roller 548, and a plurality of rollers. New polishing film is provided on the spool 546. The polishing film 542 is directed around a tension roller 555, with tension being maintained by tension shaft 551 (see FIG. 19), and through a series of rollers 560, 561, and 562. Preferably, the polishing film 542 travels over roller 560, under roller 561, and over roller 562. This configuration is preferable so that any fluid maintained on the polishing film 542 (as described below) falls into a drip tray 563 rather than running down the polishing film 542 and onto the new polishing film maintained on the spool 546 or into the used film collection bin 544. In one example embodiment, 3M Imperial Diamond Lapping Film with a one micron grit manufactured by Minnesota Mining and Manufacturing of St. Paul, Minn. was used as the polishing film 542.

The polishing film 542 then travels over the plurality of pads 511 and then over and under a second series of rollers 564, 565, and 566, with a trap 567 functioning similarly to the drip tray 563. The polishing film 542 then runs through the pincher roller 548 that engages the polishing film 542 with opposing rollers 552 and 553 driven by motor 569 and belt 568 used to index the polishing film, as described below. This indexing can be configurable, as desired, to control the amount of polishing film reuse. Finally, the used polishing film falls into the used film collection bin 544. Alternatively, instead of the film collection bin 544, a second spool can also be used to maintain the used polishing film prior to discarding it.

Polishing the end face 13 of a connector 10 can be accomplished by compressing the end face 13 against the polishing film 542, such as with the pad system 510. With the connector 10 compressed against the polishing film 542, the connector 10 can be moved in a sequence of patterns over the polishing film 542, thereby polishing the end face 13. In addition, as described below, a plurality of polishing sub-assemblies 500 may be provided, with each polishing



sub-assembly having a difference coarseness of polishing film 542. For example, coarse, medium, and fine polishing grades of polishing film can be used. In this configuration, the end face 13 can be sequentially polished with the different grades of polishing film to a desired polished state.

#### (c) The Fluid Injection System

Referring now to FIGS. 22–25, the fluid injection system 570 is shown. As shown in FIG. 23, the fluid injection system 570 includes a plurality of jet bars 572 positioned to extend parallel to a longitudinal direction of the fixtures 400 between adjacent connectors and over the polishing film 542. Each jet bar 572 includes a series of jets 574 formed in the bar 572. The jets 574 deliver a series of streams of de-ionized water onto the polishing film 542. In the illustrated embodiment, each jet bar 572 is configured to move as each fixture is moved to polish the connectors contained therein. In alternative embodiments, each jet bar 572 can be fixed in place.

The de-ionized water functions to facilitate the movement of the end faces 13 of each connector 10 over the polishing film 542, as well as to clean and remove debris from the polishing film 542 and the end faces 13 of the connectors 10. In alternative embodiments, other types of fluid such as a slurry of alcohol and water mixes may be used in place of the de-ionized water.

In the example embodiment illustrated, the water is injected throughout the polishing cycle. However, fluid injection system 570 may be fully programmable to allow the water to be turned on and off during each cycle as desired.

As shown particularly in FIGS. 23 and 25, each jet bar 572 further includes alignment pins 576 positioned on opposite sides and extending below the level of the polishing film 542. The alignment pins 576 function to hold the polishing film 542 onto each pad 511 as polishing occurs.

As shown in FIG. 23, the fluid injection system 570 further includes a series of steel plates 578 positioned between each pad 511. Each plate 578 includes a contact surface 579 of limited surface area. When a polishing cycle is complete and the pads system 510 with pads 511 is allowed to move vertically downward to a rest position (see FIG. 31B), the contact surface 579 of each plate 578 extends above each pad 511 and makes contact and supports the polishing film 542. The small contact area between the plates 578 and the polishing film 542 can be advantageous in that if the film 542 is left in contact with the plates 578 for an extended period of time (e.g., when the polishing apparatus is not used for a period of time), there is little surface area of each plate 578 on which the polishing film 542 can adhere.

#### (d) The Rinsing System

Referring now to FIGS. 16 and 25, in addition to the fluid injection system 570, the optional rinsing system 580 may also be provided on the polishing sub-assembly 500, if desired. The rinsing system 580 generally includes a roller 582 and a fluid supply 584 (see FIG. 16), in the example embodiment de-ionized water. The roller 582 may be made of any compliant material that becomes saturated with water, such as, for example, a foam material.

The fluid supply 584 runs through the roller 582 and small holes in the supply 584 positioned within the roller 582 allow the water to escape outwardly into the roller 582, thereby saturating the roller 582 with de-ionized water. In this manner, the roller 582 may be maintained in a saturated state. In addition, the roller 582 may be mounted so that the roller 582 rotates about the supply 584.

The roller 582 is positioned adjacent the pads 511 and fixtures 400 so that, as described below, when a fixture 400 is moved from one polishing sub-assembly to another, the end faces 13 of the connectors 10 maintained in each fixture 400 are caused to pass over and rub against the saturated roller 582, thereby causing the rollers 582 to spin and any debris on the end faces 13 of the connectors to be removed. In an alternative embodiment, each fixture 400 may be passed back and forth over the roller 582 multiple times to more thoroughly clean the end faces 13. In this manner, the end faces 13 can be maintained in a clean state.

In alternative embodiments, other configurations besides a roller may also be used, such as a stationary rinsing pad.

#### V. The Control Panel

The control panel 700, as shown generally in FIGS. 3–6, functions to control the operation of the polishing apparatus 100, as described below. In addition to starting and stopping the apparatus 100, the control panel 700 may also be used to change polishing times, speeds, patterns, and other configurable parameters. In addition, the control panel 700 may include a computer-driven graphical user interface (GUI) to allow for ease of use. The GUI may include preset operational menu to allow a user to input different cable fiber types or product specifications to access pre-programmed polishing cycles. An emergency stop button 702 (see FIG. 5) may also be included to stop the apparatus 100, if needed.

#### VI. Methods of Use

The polishing apparatus 100 may be used according to the method described below and illustrated in the cross-sectional views of FIGS. 27–42 taken along line D—D of FIG. 26. Throughout the steps provided below, movement of the Y-table 302 and the X-table 304 will be described and shown.

Reference throughout the method illustrated in FIGS. 27–42 will be made generically to various like components using a generic reference number, while reference to a specific components will be made using a reference number qualified with a letter. For example, generic reference to all fixtures illustrated in FIGS. 27–42 will be made using 400, while reference to a specific fixture will be made using, for example, 400a.

Additional steps to those provided below, as desired, may also be added, and one or more of the steps may be omitted without departing from the spirit of the invention. Although a series of discrete steps are illustrated in FIGS. 27–42, the motion of the polishing apparatus 100 may be continuous and may exhibit a continuum of positions as the polishing apparatus 100 moves through the various steps.

#### (a) The Fixtures Are Guided to the Polishing Apparatus

Referring to FIG. 27, in a first step, one or more fixtures 400 are guided to the example polishing apparatus 100. The fixtures may be guided manually, such as by hand-feeding the fixtures into the machine, or automatically, such as by a conveyor system (not shown). In the example embodiment shown in FIG. 27, the fixtures 400a, 400b, and 400c are positioned at a resting station prior to polishing by the apparatus 100. In addition, the fixtures 400i, and 400j have already completed the polishing by the apparatus 100 and are awaiting transport away, either manually or automatically.

The fixtures 400e, 400f, 400g, and 400h are currently positioned over a respective polishing sub-assembly 500a, 500b, 500c, and 500d in a nested state. In this nested state, as best illustrated in FIGS. 19 and 20, the resting surfaces 435 of each fixture 400 are resting on surfaces 280 and 281

## 11

of the support system **200**. The surfaces **280** and **281** fully support the fixtures **400e**, **400f**, **400g**, and **400h** so that gripper arms **360a**, **360b**, **360c**, and **360d** can fully release the fixtures **400e**, **400f**, **400g**, and **400h**.

(b) The Fixtures Are Grasped and Indexed Over One Polishing Sub-Assembly

Referring now to FIGS. **28–31**, a new fixture **400k** has been added to the line of fixtures waiting to enter the polishing apparatus **100** and the fixture **400j**, which had already completed polishing, has been removed, either manually or automatically. Referring now to FIG. **28**, the fixtures **400d**, **400e**, **400f**, and **400g** have been grasped by the gripper arms **360a**, **360b**, **360c**, and **360d**, respectively, and the Y-table has been moved forward in the Y direction, thereby moving the fixtures **400d**, **400e**, **400f**, and **400g** forward. This can be seen by noting the relative positions of fixtures **400d**, **400e**, **400f**, and **400g** with respect to the other fixtures **400k**, **400a**, **400b**, **400c**, **400h**, and **400i**. In addition, this movement can also be noted by examining the relative positions of the bearings **303** with respect to the rails **308**.

In FIG. **29**, the grasping arms **360** have moved fixtures **400d**, **400e**, **400f**, and **400g** in the X direction towards the fixture **400h**. In the example position shown, the fixture **400g** is positioned immediately adjacent the fixture **400h** in a pre-push configuration.

In FIG. **30**, the grasping arms **360** move the fixtures **400d**, **400e**, **400f**, and **400g** further in the X direction, causing the fixture **400g** to contact and push the fixture **400h**, which has already undergone polishing, further along in the X direction and out of the way of the polishing (i.e. a post-push position).

In FIG. **31**, the grasping arms **360** have moved the fixtures **400d**, **400e**, **400f**, and **400g** back in the X' direction, thereby positioning the fixtures **400d**, **400e**, **400f**, and **400g** directly over the four respective polishing sub-assemblies **510a**, **510b**, **510c**, and **510d**.

During indexing of the fixtures, the pad system is in a lowered position, as shown in FIG. **31B**.

(c) The Pad System is Raised

With the fixtures **400d**, **400e**, **400f**, and **400g** positioned over their respective polishing sub-assemblies, a plurality of pads **511** of each pad system **510** of each sub-assembly **500** are raised using air pressure (see FIG. **31A**), as described above. As the pads **511** are raised, the polishing film **542**, positioned to pass over the pads **511**, is also raised and pressed against the end faces **13** of the ferrule **12** of each connector **10** held by each of the fixtures **400d**, **400e**, **400f**, and **400g**. As described previously, each pad **511** acts separately to apply equal force to each end face **13** of each ferrule **12**. In this configuration, the polishing film **542** is held by each pad **511** and biased against each connector **10** (such as is shown in, for example, FIGS. **23** and **25**).

(d) The Polishing Cycle

Referring now to FIGS. **32–39**, with the fixtures **400d**, **400e**, **400f**, and **400g** positioned over the polishing sub-assemblies and the pad system **510** and polishing film **542** pressed against the end face **13** of each connector **10**, polishing is commenced. In one embodiment, polishing is accomplished by moving each fixture **400** along a two-dimensional path, thus causing the end face **13** of each the connector **10** to ride along the polishing film **542** and thereby be polished.

## 12

Referring to FIG. **32**, a first step of a polishing cycle may include moving the fixtures **400d**, **400e**, **400f**, and **400g** in the Y' direction a given amount. In the example embodiment, this amount is approximately ½ inch, although other amounts can also be used as desired. In FIG. **33**, the fixtures **400d**, **400e**, **400f**, and **400g** are moved in the Y direction back to their initial position. In FIGS. **34** and **35**, the fixtures **400d**, **400e**, **400f**, and **400g** are moved first in the Y direction a given amount (for example, ½ inch) (see FIG. **34**) and then are moved back in the Y' direction to their initial position (see FIG. **35**).

In FIGS. **36** and **37**, the fixtures **400d**, **400e**, **400f**, and **400g** are moved first in the X' direction a given amount (see FIG. **36**) and then are moved back in the X direction to their initial position (see FIG. **37**). In FIGS. **38** and **39**, the fixtures **400d**, **400e**, **400f**, and **400g** are moved first in the X direction a given amount (see FIG. **38**) and then are moved back in the X' direction to their initial position (see FIG. **39**).

The movement illustrated in FIGS. **32–39** can constitute a single polishing cycle. This polishing cycle can be repeated a number of times, as desired, to polish the end face **13** of each of the plurality of connectors **10** held in each fixture **400**. In addition, other sequences and cycles are also possible. In an example embodiment, the polishing cycle is a combination of motion in the X and Y directions following a spiraling circular path at a constant speed. The shape of the path is fully programmable, as are the speeds, accelerations, and directions of the polishing cycle. Furthermore, the pad force and the fluid injection can also be controlled and altered during the polishing cycle. A polishing cycle can be selected, as desired, to polish each connector **10** to meet certain specifications such as, for example, radius of curvature, apex offset, fiber height, surface finish, insertion loss, and return loss.

(e) The Pad System is Lowered and the Polishing Film is Indexed

When the polishing cycle is complete, the pad system **510** including the plurality of pads **511** are lowered (FIG. **31B**), and the polishing film **542** also lowers with the pads **511**. The polishing film **542** can then be indexed by the pincher roller **548** so that fresh polishing film is positioned over the pad system **510** for the next polishing cycle.

(f) The Fixtures Are Docked in the Nest

Concurrent with or subsequent to the previous step, the fixtures **400d**, **400e**, **400f**, and **400g** are moved in the Y' direction. The gripper arms **360** then release each fixture, thereby docking the fixtures in the nest as shown in FIG. **40**.

(g) The Gripper Arms Are Indexed

The gripper arms **360** (without the fixtures) are then indexed in the X' direction so that the gripper arm **360a** is positioned to grip the fixture **400c**, the gripper arm **360b** is positioned to grip the fixture **400d**, the gripper arm **360c** is positioned to grip the fixture **400e**, and gripper arm **360d** is positioned to grip the fixture **400f**, as is shown in FIG. **41**. The gripper arms **360a**, **360b**, **360c**, and **360d** then grip the fixtures **400c**, **400d**, **400e**, and **400f**, respectively.

(h) The Rinsing System is Activated

If the rinsing system **580** is provided, it is activated so that de-ionized water flows through and saturates the roller **582**.

(i) The Fixtures Are Indexed Over One Polishing Sub-Assembly

Similar to step (b) described above, the fixtures **400c**, **400d**, **400e**, and **400f** are then indexed in the X direction one polishing sub-assembly **500**, as shown in FIG. **42**. As each

## 13

fixture 400 passes between adjacent polishing sub-assemblies 500, the end face 13 of the ferrule 12 of each connector 10 is caused to contact the roller 582, thereby removing any debris for each end face 13. In one embodiment, each fixture 400 is passed back and forth over the roller 582 multiple 5 times to further clean the end faces 13. Once the fixtures have passed over the roller 582, the flow of de-ionized water into the rinsing roller 582 is terminated.

With the fixtures 400c, 400d, 400e, and 400f positioned as shown in FIG. 42, a new polishing cycle, such as that 10 described in steps (c)–(f) above, can be initiated.

Having described aspects and example embodiments of the present invention, modifications and equivalents of the disclosed concepts may readily occur to one skilled in the art. For example, while the fixtures illustrated herein are 15 configured to hold connectors and associated ferrules in a vertically upright orientation, it will be appreciated that the fixtures could also be oriented so as to each hold a ferrule at an oblique angle relative to a polishing surface. However, it is intended that such modifications and equivalents be 20 included within the scope of the claims that are appended hereto.

I claim:

1. A method for polishing fiber optic connectors, comprising:

providing a fixture including a plurality of connector locations configured to hold a plurality of fiber optic connectors;

providing a plurality of pads adjacent to end faces of the connectors held by the fixture;

moving each of the plurality of pads independently towards the fixture; and

simultaneously polishing the plurality of fiber optic connectors held by the fixture at the plurality of pads.

2. The method of claim 1, wherein the simultaneously polishing step further comprises moving the fixture to polish the plurality of fiber optic connectors.

3. The method of claim 1, wherein the fixture holds the plurality of fiber optic connectors in a row.

4. The method of claim 1, wherein the providing a plurality of pads step further comprises providing a separate pad from the plurality of pads corresponding to each of the plurality of fiber optic connectors.

5. The method of claim 1, further comprising indexing a polishing film disposed on the plurality of pads.

6. The method of claim 5, further comprising initiating a flow of fluid by a fluid injection module onto a top surface of a portion of the polishing film.

7. The method of claim 1, further comprising rubbing an end face of each of the plurality of connectors in the fixture over a roller to remove debris.

8. The method of claim 1, further comprising: indexing a polishing film disposed on the plurality of pads;

initiating a flow of fluid by a fluid injection module onto a top surface of a portion of the polishing film; and rubbing an end face of each of the plurality of connectors in the fixture over a roller to remove debris.

9. A method for polishing fiber optic connectors, comprising:

providing a fixture including a plurality of connector locations configured to hold a plurality of fiber optic connectors, wherein the fixture holds the plurality of fiber optic connectors in a row;

providing a plurality of pads adjacent to end faces of the connectors held by the fixture;

## 14

moving each of the plurality of pads independently towards the fixture;

moving the fixture to simultaneously polish the plurality of fiber optic connectors held by the fixture at the plurality of pads;

moving each of the plurality of pads independently away from the fixture; and

indexing a polishing film disposed on the plurality of pads.

10. The method of claim 9, wherein the providing a plurality of pads step further comprises providing a separate pad from the plurality of pads corresponding to each of the plurality of fiber optic connectors.

11. The method of claim 9, further comprising initiating a flow of fluid by a fluid injection module onto a top surface of a portion of the polishing film.

12. The method of claim 9, further comprising rubbing an end face of each of the plurality of connectors in the fixture over a roller to remove debris.

13. A method for polishing fiber optic connectors, comprising:

providing first and second fixtures each including a plurality of connector locations configured to hold a plurality of fiber optic connectors;

providing first and second polishing sub-assemblies, each including a plurality of pads moveably coupled to a platform, wherein each pad in the plurality of pads travels independently in a vertical direction and wherein the plurality of pads includes one pad for each of the plurality of connector locations, and a web polishing film configured to pass over the plurality of pads;

positioning the first fixture adjacent the first polishing sub-assembly;

moving each pad in the plurality of pads of the first polishing sub-assembly against each of the plurality of fiber optic connectors in the first fixture; and

moving the first fixture two-dimensionally to cause an end face of each of the plurality of connectors in the first fixture to be polished against the first polishing sub-assembly.

14. The method of claim 13, further comprising:

lowering the plurality of pads and web polishing film of the first sub-assembly;

docking the first fixture in a nest;

positioning the first fixture adjacent the second polishing sub-assembly; and

positioning the second fixture adjacent the first polishing sub-assembly.

15. The method of claim 14, further comprising:

moving each pad in the plurality of pads and the web polishing film of the first polishing sub-assembly against each of the plurality of fiber optic connectors in the second fixture;

moving each pad in the plurality of pads and the web polishing film of the second polishing sub-assembly against each of the plurality of fiber optic connectors in the first fixture; and

moving simultaneously the first and second fixtures two-dimensionally to cause the end face of each of the plurality of connectors in the first and second fixtures to

**15**

be polished against the respective first and second polishing sub-assemblies.

**16.** The method of claim **15**, further comprising:

providing a fluid injection module and a rinsing module; initiating a flow of fluid by the fluid injection module of

the first sub-assembly onto a top surface of a portion of the web polishing film;

rubbing the end face of each of the plurality of connectors in the first fixture over the roller of the first polishing sub-assembly to remove debris.

**17.** The method of claim **16**, further comprising indexing the web polishing film of the first sub-assembly.

**16**

**18.** The method of claim **13**, further comprising:

providing a fluid injection module and a rinsing module; initiating a flow of fluid by the fluid injection module of

the first sub-assembly onto a top surface of a portion of the web polishing film;

rubbing the end face of each of the plurality of connectors in the first fixture over the roller of the first polishing sub-assembly to remove debris.

**19.** The method of claim **13**, further comprising indexing the web polishing film of the first sub-assembly.

\* \* \* \* \*